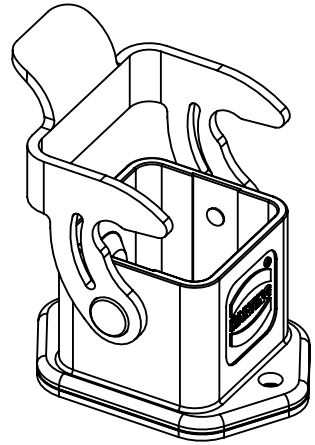
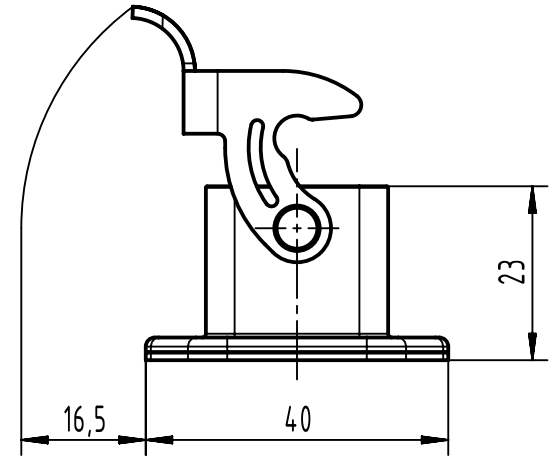
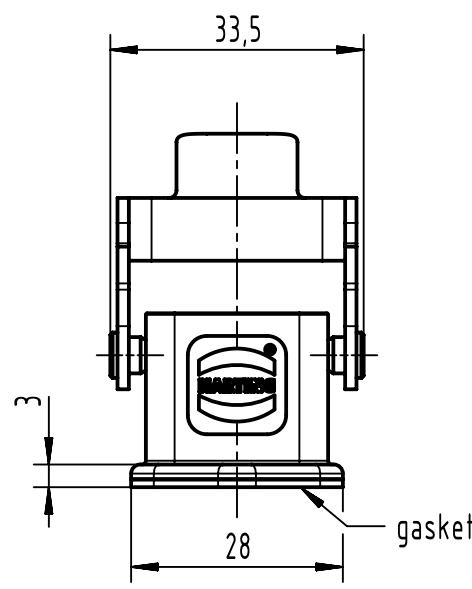
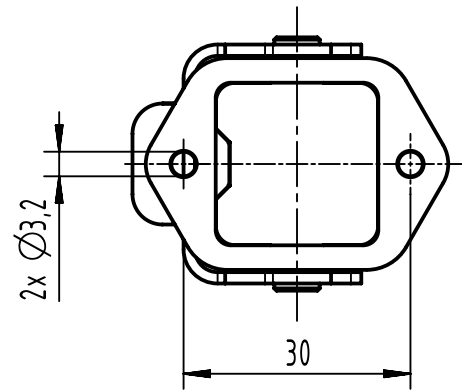
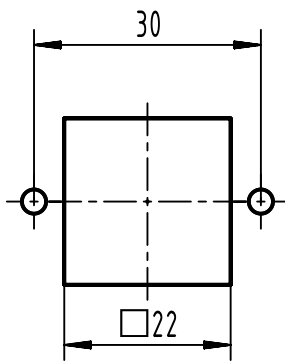



panel cut out



	All rights reserved Department EL PD	All Dimensions in mm Original Size DIN A4		Scale 1:1	Free size tol.		Ref.			
		Created by YUA	Inspected by WANGSTE	Standardisation 302077	Date 2021-07-01	State Final Release		Doc-Key / ECM-Nr. 100923012/UGD/007/A 500000198506		
HARTING D-32339 Espelkamp		Title Han 3A HMC Housing			Type TB		Number 09 20 203 0301		Rev. A	Page 1/1