

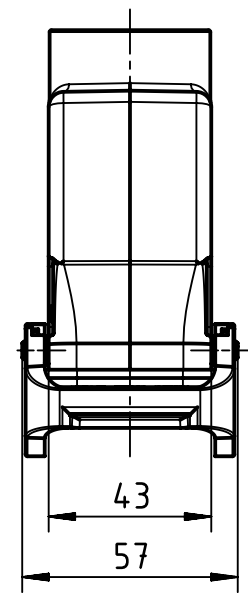
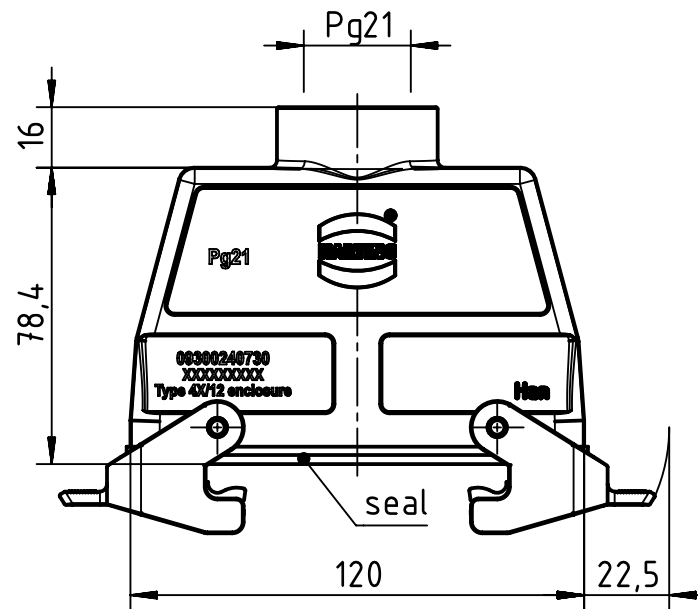
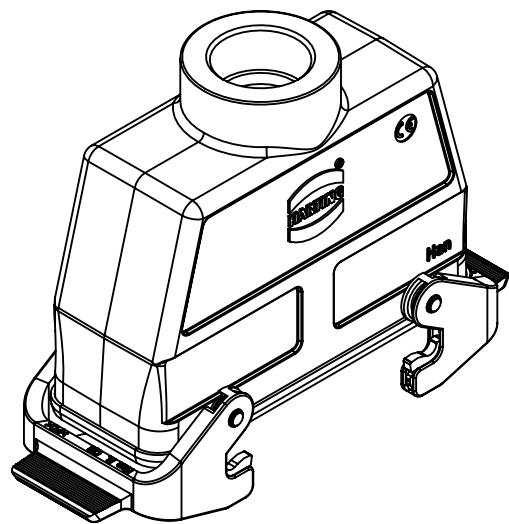
1 2 3 4 5 6

A

B

C

D



| | | | | | | | | |
|---|--|--|---|--------------------------|---------------------------|--------------------|--|-------------|
| | All Dimensions in mm Original Size DIN A4 | | Scale 1:2 | Free size tol. | | Ref. | | |
| | | | | | | Sub. | | |
| | All rights reserved | | Created by 00103855 | Inspected by GERB | Standardisation GARSKE | Date 2020-04-29 | State Final Release | |
| | Department EL PD | | Title Han B Hood Coupler HC 2 Levers PG 21 | | | | Doc-Key / ECM-Nr. 100118475/UGD/007/C 500000171209 | |
| HARTING Electric GmbH & Co. KG D-32339 Espelkamp | | | Type TB | Number 09 30 024 0730 | | | Rev. C | Page 1/1 |