

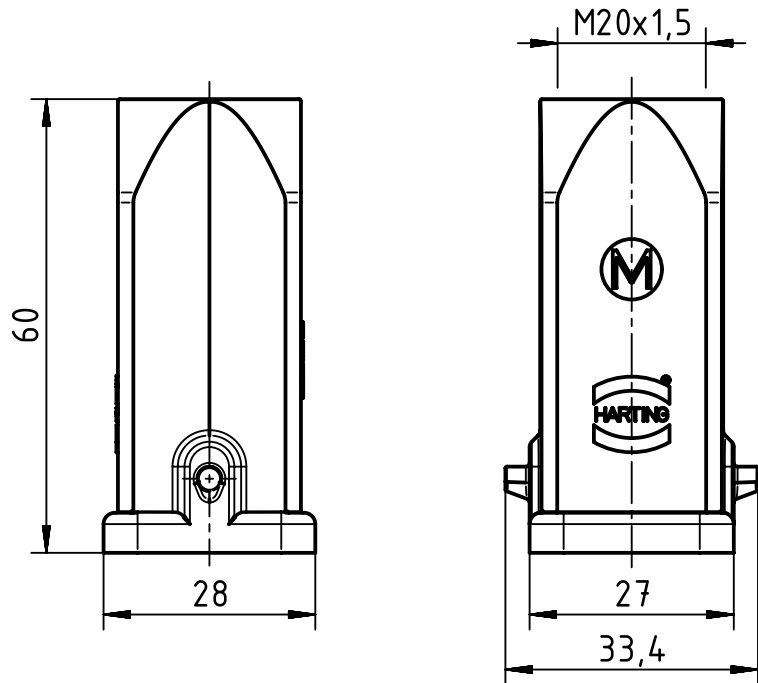
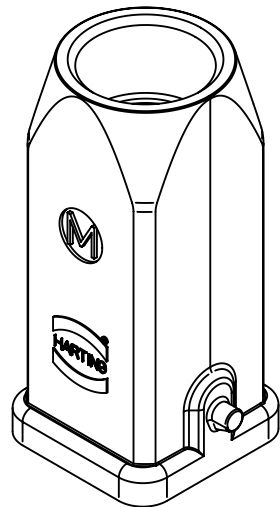
1 2 3 4 5 6


A

B

C

D



	All Dimensions in mm Original Size DIN A4		Scale 1:1	Free size tol.		Ref.		
	All rights reserved Department EL PD - DE		Created by HOLLERT	Inspected by RIEPE	Standardisation TIEMANNA	Date 2015-09-23	State Final Release	
HARTING Electric GmbH & Co. KG D-32339 Espelkamp			Title Han 3A-gg-M20 red			Doc-Key / ECM-Nr. 100637121/UGD/001/A 500000094136		
			Type TB	Number 19 20 003 1446			Rev. A	Page 1/1