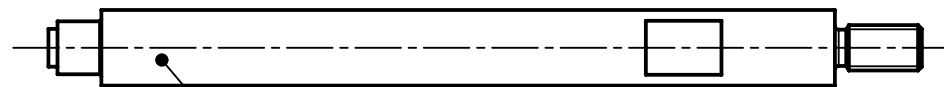
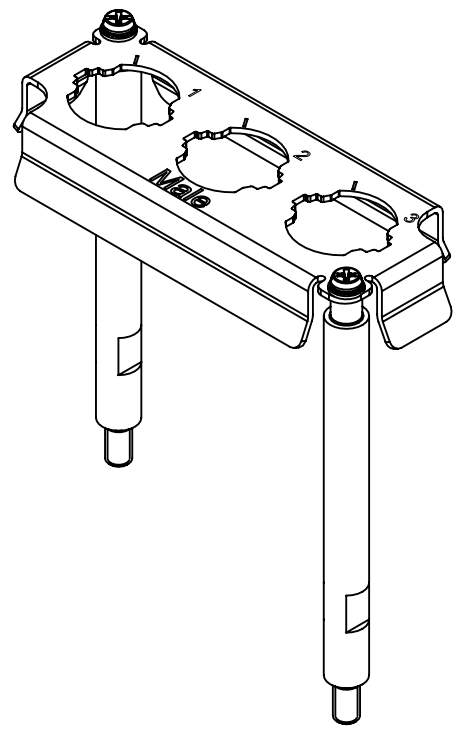
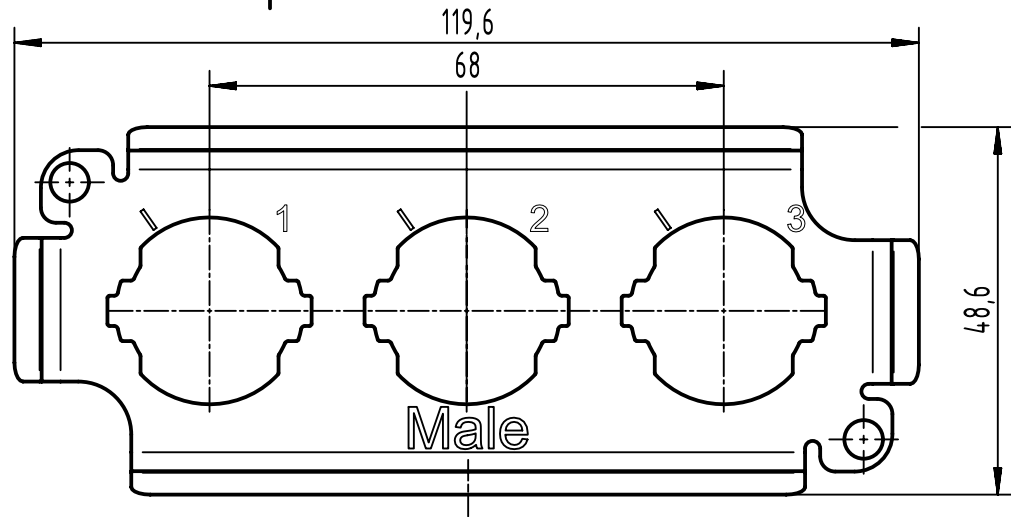


A

B

C

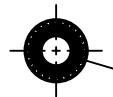
D



2x distance bolt (SW7)




2x M4 screw



2x washer SK S4

All components enclosed separately

	All rights reserved Department EL PD	All Dimensions in mm Original Size DIN A4		Scale 1:1	Free size tol.		Ref. Sub.	
		Created by 407807	Inspected by DINGB	Standardisation ROEBEN	Date 2023-12-07	State Final Release		
HARTING D-32339 Espelkamp			Title Han 16HPR EasyCon Frame Male 3xHC250				Doc-Key / ECM-Nr. 100686442/UGD/004/B 500000259421	
		Type TB	Number 09 40 016 9901			Rev. B	Page 1/1	