

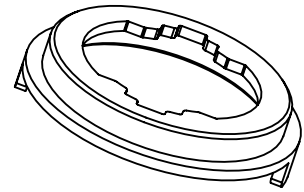
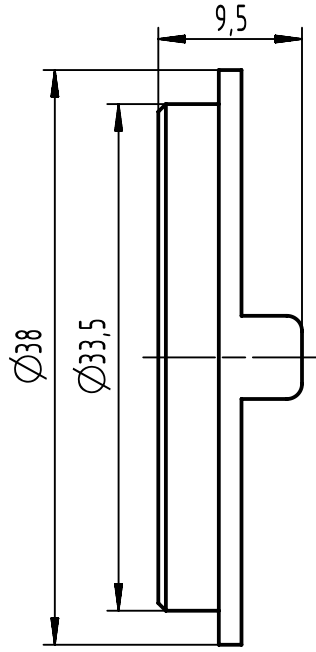
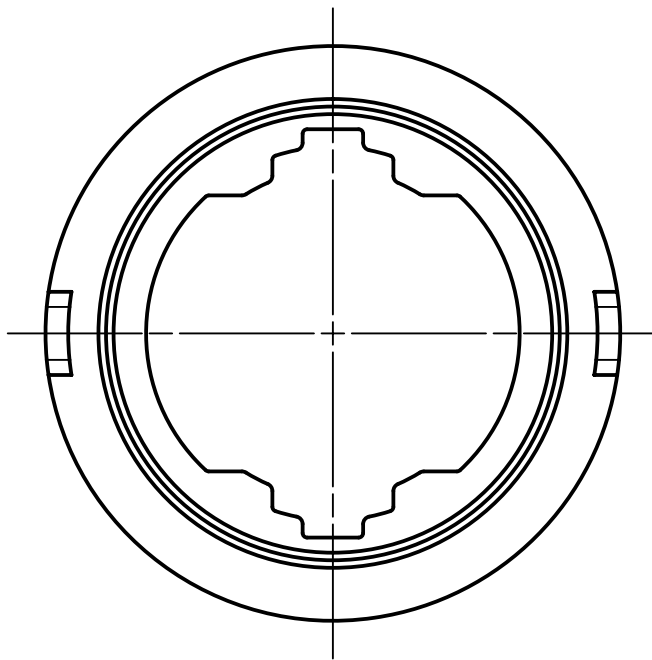
1 2 3 4 5 6


A

B

C

D



	All rights reserved Department EL PD	Created by 407807	Inspected by DINGB	Standardisation ROEBEN	Date 2022-11-18	State Final Release
		Title Han HPR SP1 Frame HC250		Doc-Key / ECM-Nr. 100945408/UGD/001/A 500000230418		
HARTING D-32339 Espelkamp		Type TB	Number 09 40 011 9902		Rev. A	Page 1/1