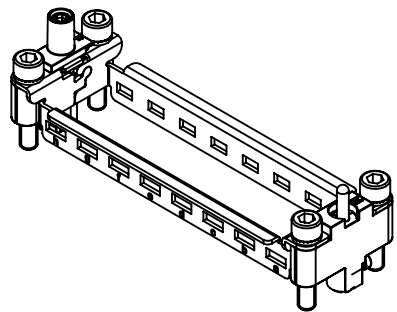


all components enclosed separately



	All rights reserved Department EL PD	All Dimensions in mm Original Size DIN A4		Scale 1:1	Free size tol.	Ref.
		HARTING D-32339 Espelkamp	Created by HEW	Inspected by DINGB	Standardisation ROEBEN	Date 2022-02-17
Title Han 24HPR Enlarged PE Modular Frame a-h						Doc-Key / ECM-Nr. 100794606/UGD/001/C 500000211516
Type TB				Number 09 11 024 9934		Rev. C
						Page 1/1