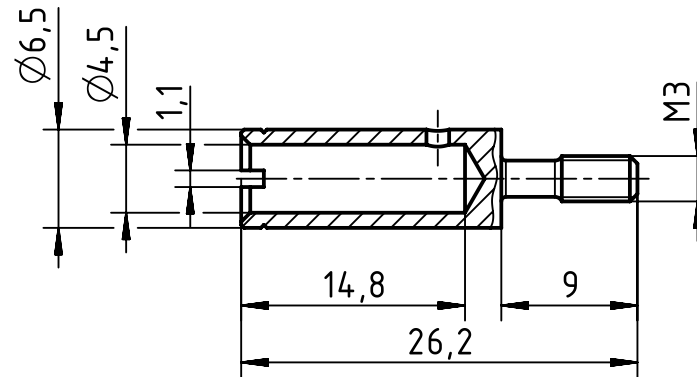
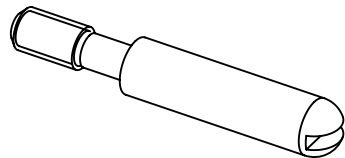
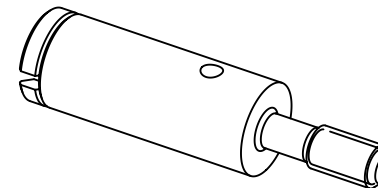
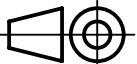



guide pin stainless steel



guide bush stainless steel



		 All Dimensions in mm Original Size DIN A4		Scale 2:1	Free size tol.		Ref.	
		 All rights reserved Department EL PD - DE		Created by HOLLERT	Inspected by SUNDERMEIER	Standardisation TIEMANNA	Sub.	
09330009927		guide pin stainless steel		HARTING Electric GmbH & Co. KG			Date 2013-08-05	State Final Release
09330009970		guide bush stainless steel		D-32339 Espelkamp			Doc-Key / ECM-Nr. 100545361/UGD/001/A 500000064669	
part no.		description		Type TB	Number 09 33 000 99XX		Rev. A	Page 1/1