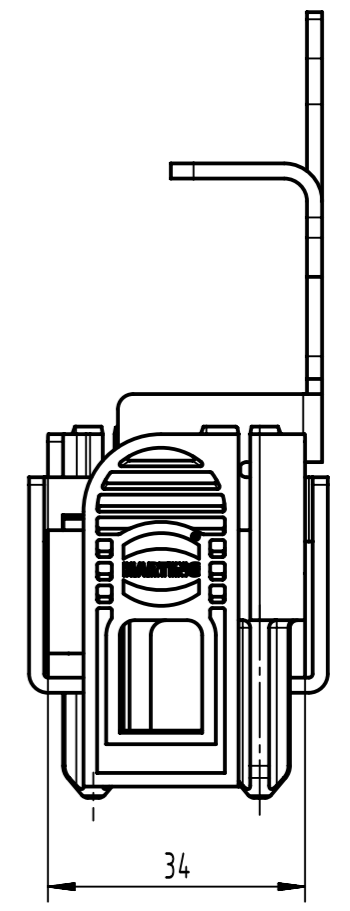
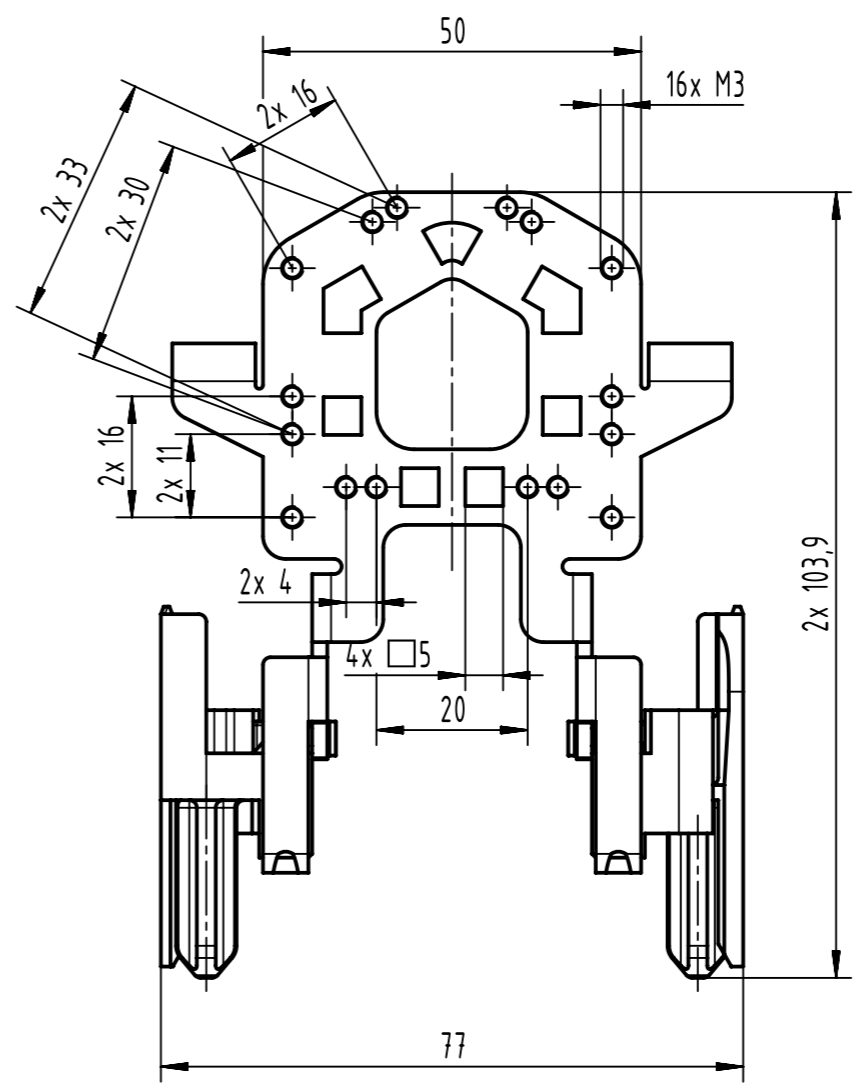


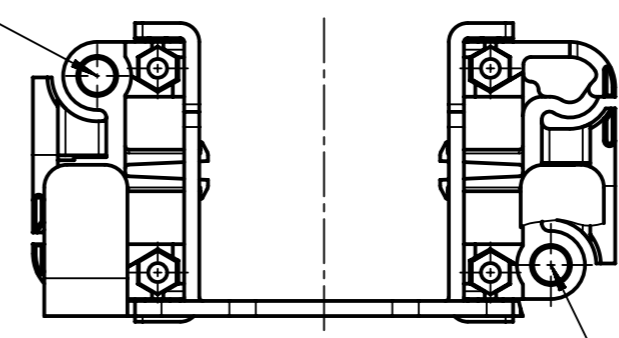
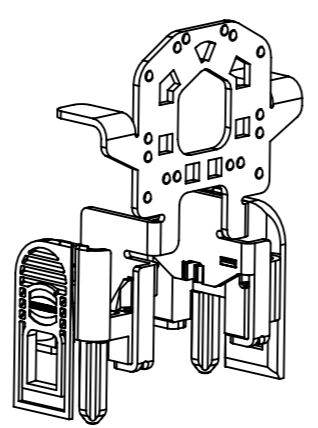
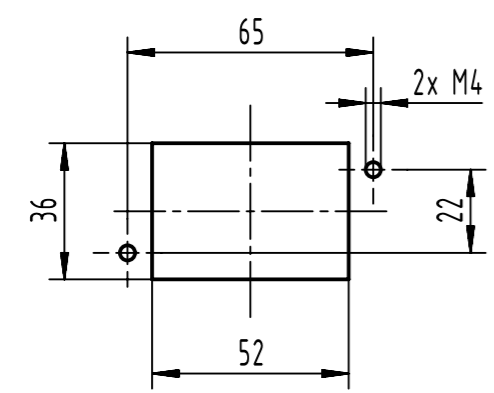
① are not included in the scope of delivery

Suitable wall brackets:  
09 00 000 5614  
09 00 000 5616

position for coding pin  
09 12 000 9901

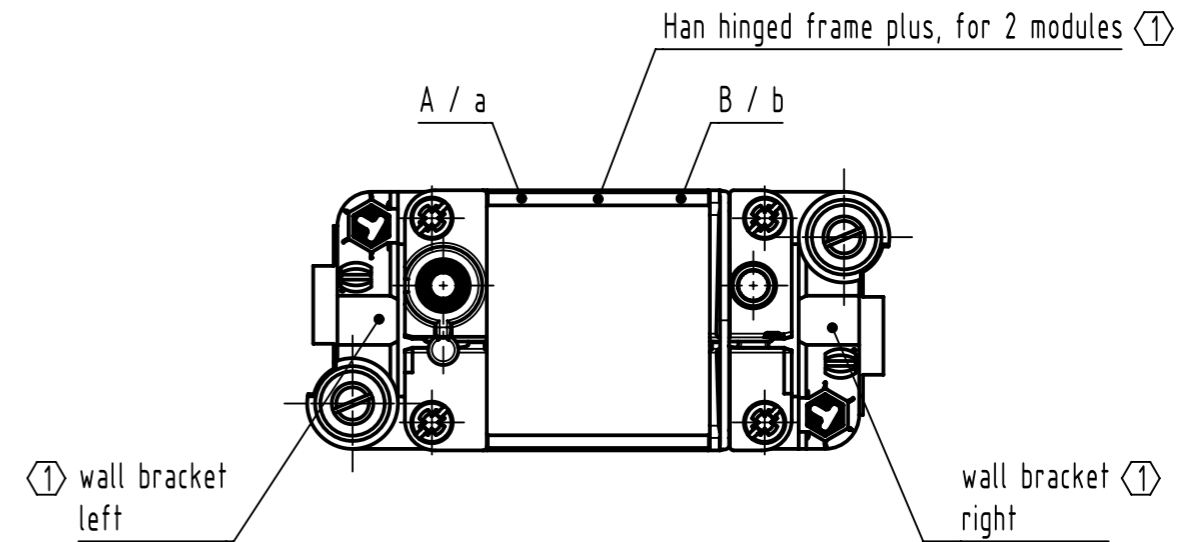
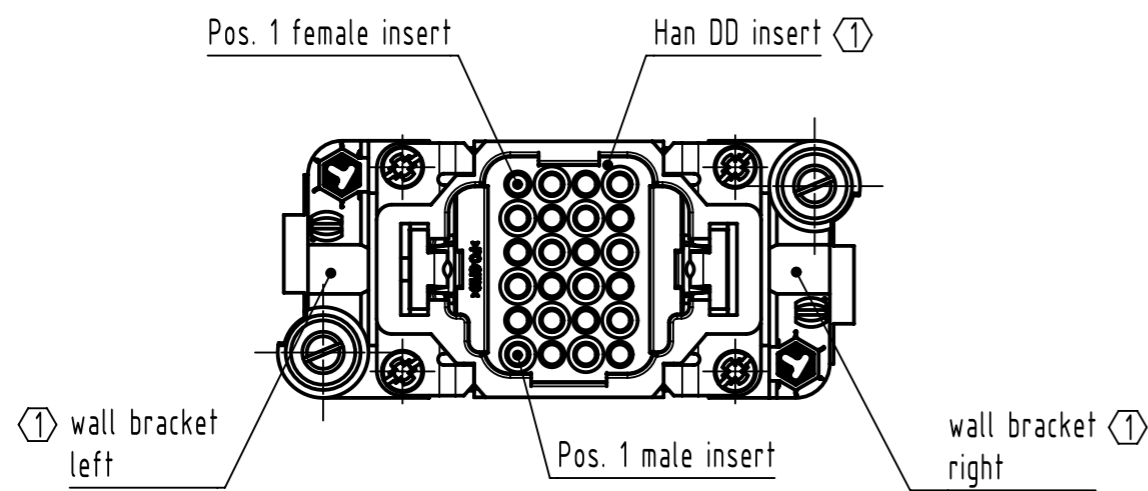
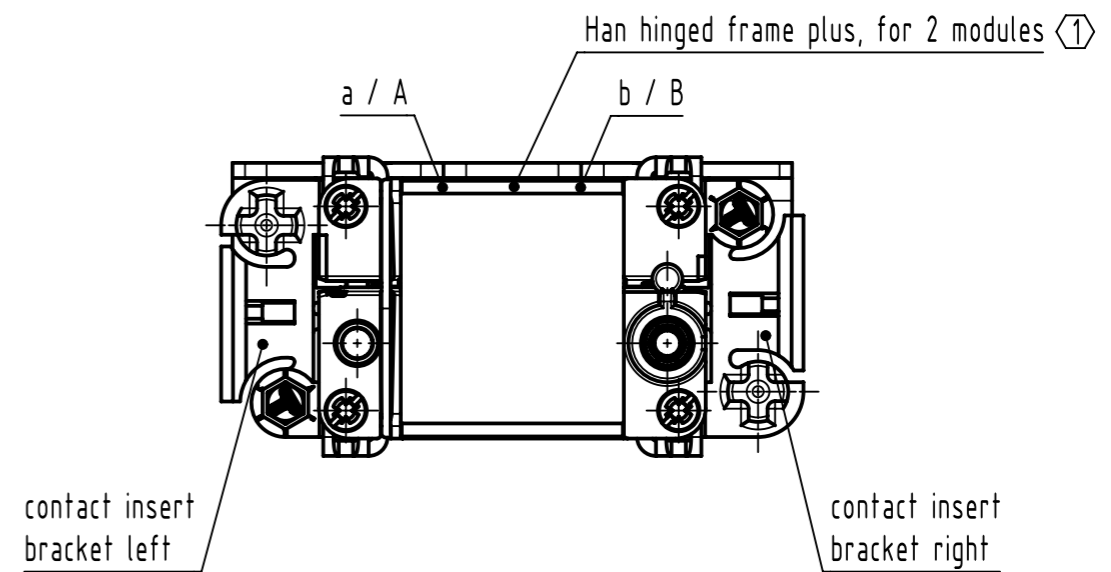
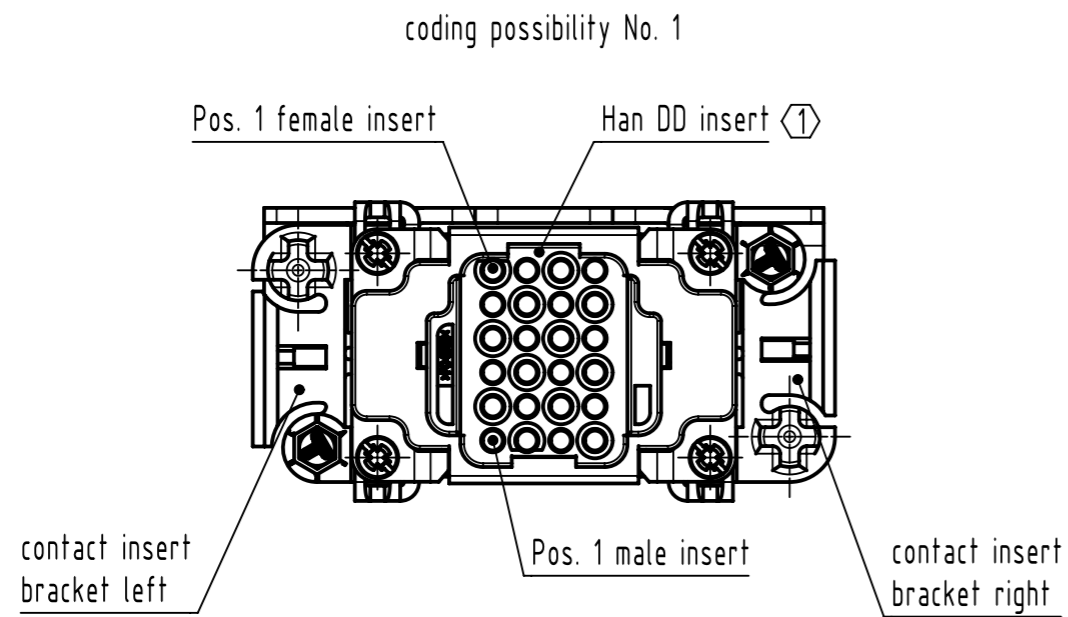


panel cut out (1:2)



position for coding pin  
09 12 000 9901

	All Dimensions in mm Original Size DIN A3		Scale 1:1	Free size tol.		Ref.	
	All rights reserved		Created by HOLLERT	Inspected by RIEPE	Standardisation	Date 2023-10-05	State Final Release
Department EL PD		Title Contact insert bracket 6B				Doc-Key / ECM-Nr. 100811660/UGD/003/K 50000254.750	
HARTING D-32339 Espelkamp		Type TB	Number 09 00 006 5610			Rev. K	Page 1/4



① are not included in the scope of delivery

Suitable wall brackets:  
09 00 000 5614  
09 00 000 5616

	All Dimensions in mm Original Size DIN A3	Scale 1:1	Free size tol.	Ref.	
	All rights reserved Department EL PD	Created by HOLLERT	Inspected by RIEPE	Standardisation	Date 2023-10-05
Title Contact insert bracket 6B		State Final Release		Doc-Key / ECM-Nr. 100811660/UGD/003/K 500000254.750	
Type TB		Number 09 00 006 5610		Rev. K	Page 2/4

1 2 3 4 5 6

A

B

C

D

No. 1	left	right	No. 7	left	right	No. 13	left	right
contact insert bracket			contact insert bracket			contact insert bracket		
wall bracket			wall bracket			wall bracket		
No. 2	left	right	No. 8	left	right	No. 14	left	right
contact insert bracket			contact insert bracket			contact insert bracket		
wall bracket			wall bracket			wall bracket		
No. 3	left	right	No. 9	left	right	No. 15	left	right
contact insert bracket			contact insert bracket			contact insert bracket		
wall bracket			wall bracket			wall bracket		
No. 4	left	right	No. 10	left	right	No. 16	left	right
contact insert bracket			contact insert bracket			contact insert bracket		
wall bracket			wall bracket			wall bracket		
No. 5	left	right	No. 11	left	right	No. 17	left	right
contact insert bracket			contact insert bracket			contact insert bracket		
wall bracket			wall bracket			wall bracket		
No. 6	left	right	No. 12	left	right	No. 18	left	right
contact insert bracket			contact insert bracket			contact insert bracket		
wall bracket			wall bracket			wall bracket		

In total 36 coding possibilities  
 coding possibilities  
 6 options on each side:

		All Dimensions in mm Original Size DIN A4	Scale 1:1	Free size tol.	Ref.
		All rights reserved Department EL PD	Created by HOLLERT	Inspected by RIEPE	Standardisation
HARTING D-32339 Espelkamp	Title Contact insert bracket 6B			Date 2023-10-05	State Final Release
Type TB				Number 09 00 006 5610	Doc-Key / ECM-Nr. 100811660/UGD/003/K 500000254.750
				Rev. K	Page 3/4

	1	2	3	4	5	6			
A	No. 19	left	right	No. 25	left	right	No. 31	left	right
	contact insert bracket			contact insert bracket			contact insert bracket		
	wall bracket			wall bracket			wall bracket		
B	No. 20	left	right	No. 26	left	right	No. 32	left	right
	contact insert bracket			contact insert bracket			contact insert bracket		
	wall bracket			wall bracket			wall bracket		
C	No. 21	left	right	No. 27	left	right	No. 33	left	right
	contact insert bracket			contact insert bracket			contact insert bracket		
	wall bracket			wall bracket			wall bracket		
D	No. 22	left	right	No. 28	left	right	No. 34	left	right
	contact insert bracket			contact insert bracket			contact insert bracket		
	wall bracket			wall bracket			wall bracket		
E	No. 23	left	right	No. 29	left	right	No. 35	left	right
	contact insert bracket			contact insert bracket			contact insert bracket		
	wall bracket			wall bracket			wall bracket		
F	No. 24	left	right	No. 30	left	right	No. 36	left	right
	contact insert bracket			contact insert bracket			contact insert bracket		
	wall bracket			wall bracket			wall bracket		

	All Dimensions in mm Original Size DIN A4		Scale 1:1	Free size tol.		Ref.
						Sub.
	All rights reserved		Created by HOLLERT	Inspected by RIEPE	Standardisation	Date 2023-10-05
	Department EL PD		Title Contact insert bracket 6B			State Final Release
HARTING D-32339 Espelkamp			Type TB	Number 09 00 006 5610		Doc-Key / ECM-Nr. 100811660/UGD/003/K 500000254.750
					Rev. K	Page 4/4