

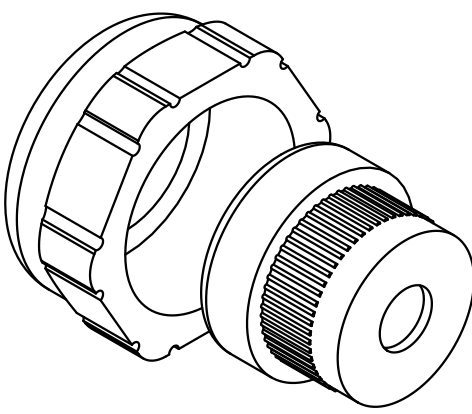
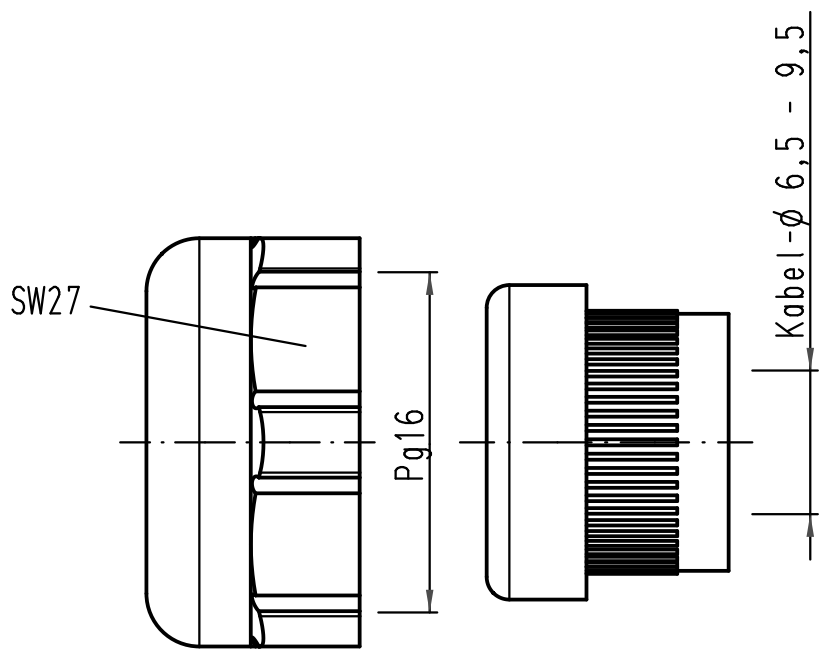
1 2 3 4 5 6

A

B

C

D



Für Sockelgehäuse - Kunststoff
for housings surface mounting - plastic

| | | | | | | | | | |
|------|------|---|--|---|-------------------|--------------------------|---|--|------------|
| | | All Dimensions in mm Original Size DIN A 4 | | | Techn. Character. | | Nicht tolerierte Maß/Free size tolerances | | |
| | | | | | | | | | |
| | | | | Dat. | Name | Maßstab/Scale 2:1 | Han-Compact Halbverschraubung Pg16 half cable protection Pg16 | | |
| | | | | Detail. | 10.02.10 | | | | Ho |
| | | | | Insp. | | | | | Sch |
| | | | | Stand. | | | | | |
| A | | | | HARTING Electric GmbH & Co. KG D-32339 Espelkamp | | | TB 09 00 000 5057 | | Blatt/page |
| Mod. | Dat. | Name | | | | | Sub. TB 09 00 000 5057 v. 30.05.06 | | |