

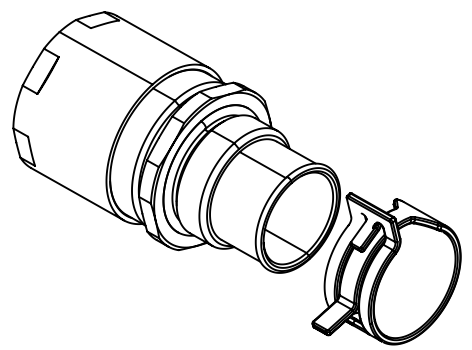
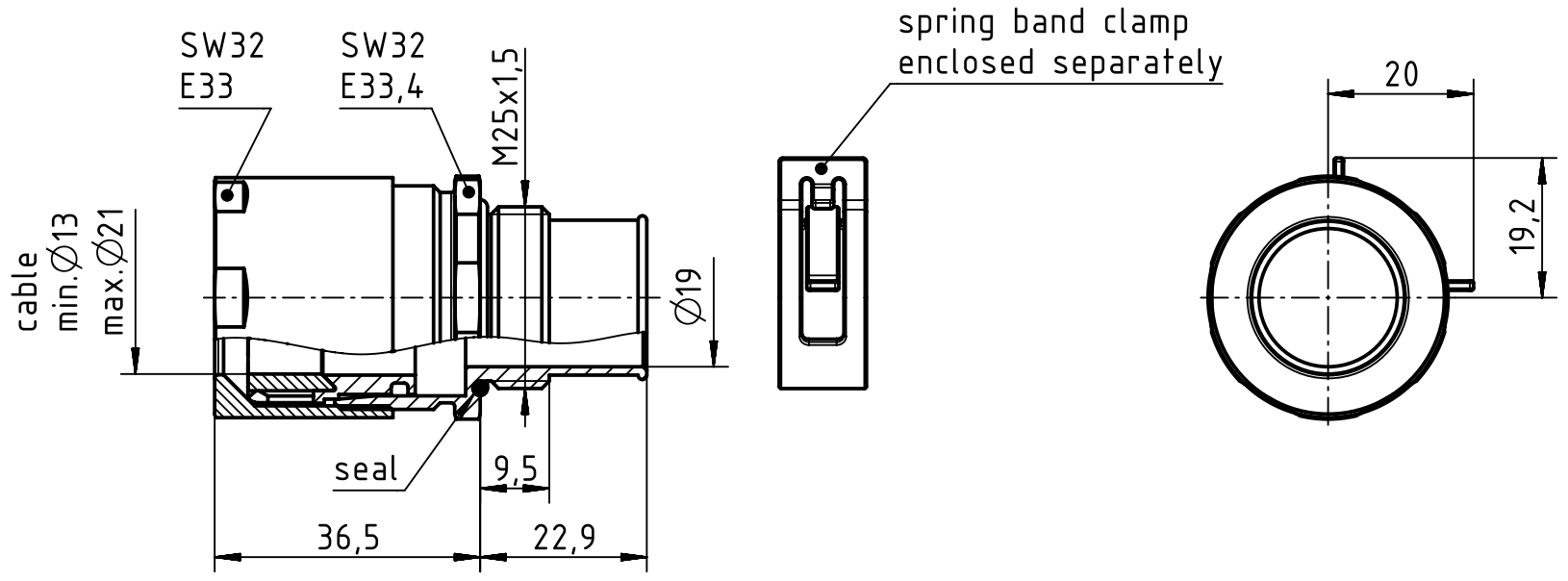
1 2 3 4 5 6

A

B

C

D



	All Dimensions in mm Original Size DIN A4		Scale 1:1	Free size tol.		Ref.
			Created by TEICHRIBR	Inspected by RIEPE	Standardisation GARSKE	Sub.
All rights reserved Department EL PD		HARTING Electric GmbH & Co. KG D-32339 Espelkamp		Title Spec. Cable Gland M25 Cable-Ø13-21 SBC		Date 2019-05-03
				State Final Release		Doc-Key / ECM-Nr. 100195535/UGD/005/B 500000150838
				Type TB	Number 19 00 000 5019	Rev. B
						Page 1/1