

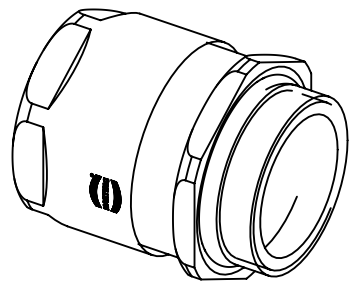
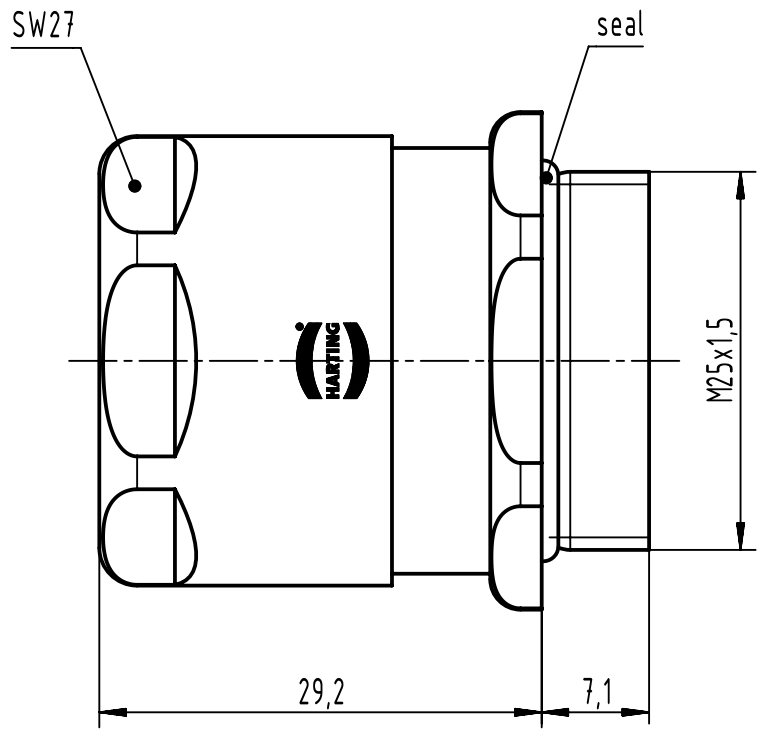
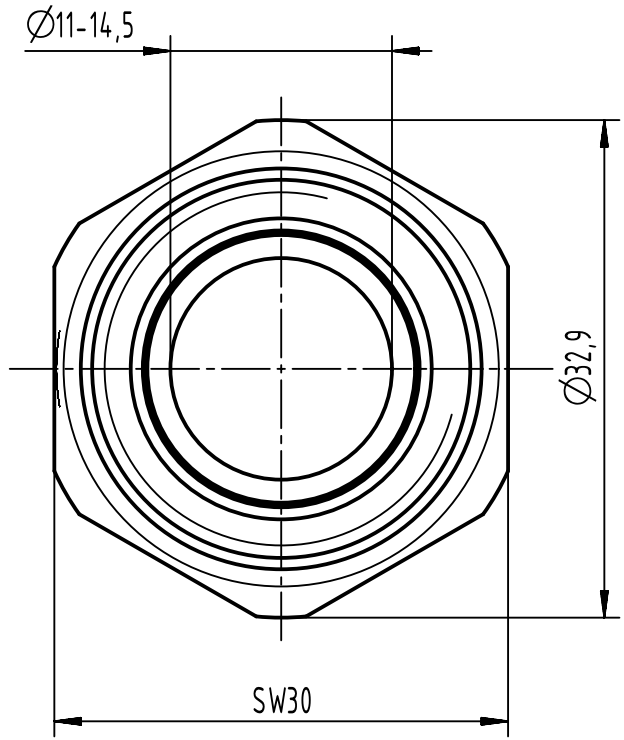
1 2 3 4 5 6

A

B

C

D



Coating	A=	mm ²	V=	mm ³	m=	g	Mat.
	All Dimensions in mm Original Size DIN A4		Scale 2:1	Free size tol.			Ref.
	All rights reserved Department EL PD		Created by 100887	Inspected by 104061	Standardisation 302077	Date 2021-06-08	State Final Release
HARTING D-32339 Espelkamp			Title Han CGM-M-Rail M25 D.11-14.5mm			Doc-Key / ECM-Nr. 100824113/UGD/001/B 500000195850	
			Type TB	Number 19 00 000 7122			Rev. B
						Page 1/1	