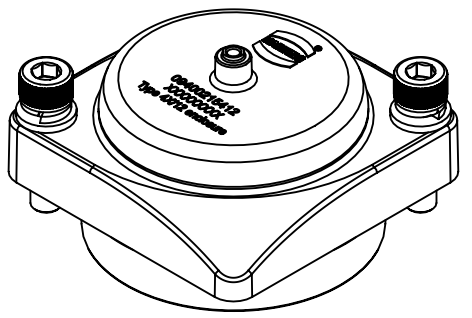
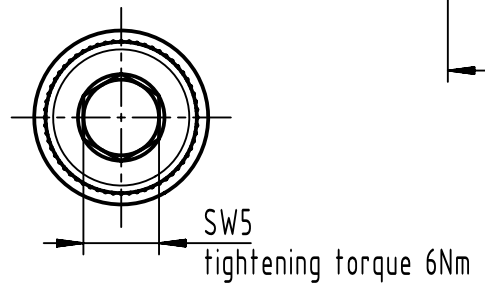


X (2:1) (2x)



	All Dimensions in mm Original Size DIN A4		Scale 1:1	Free size tol.		Ref.		
						Sub.		
	All rights reserved		Created by 406869	Inspected by DINGB	Standardisation ROEBEN	Date 2023-10-30	State Final Release	
	Department EL PD		Title Han HPR SP2-CM-SCL-without lanyard				Doc-Key / ECM-Nr. 101100074/UGD/000/A 500000256415	
HARTING D-32339 Espelkamp			Type TB	Number 09 40 021 5412			Rev. A	Page 1/1