

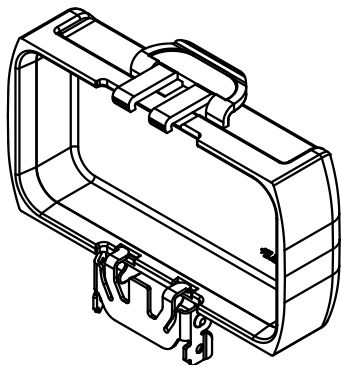
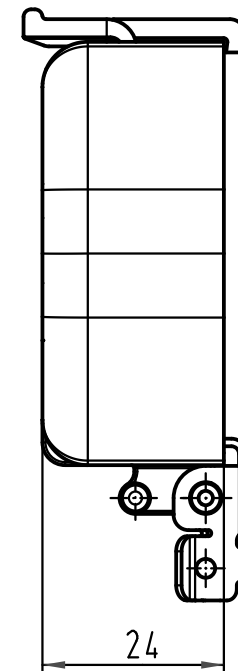
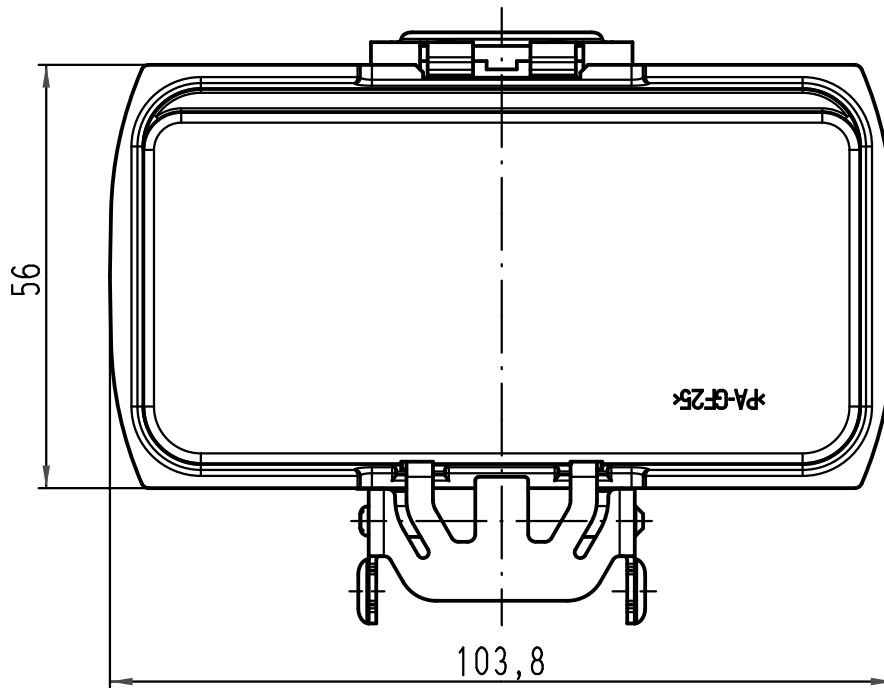
1 2 3 4 5 6

A

B

C

D



|   |      |                   |                                |      |   |  |
|---|------|-------------------|--------------------------------|------|---|--|
| All Dimensions in mm<br>Original Size DIN A 4 |      | Techn. Character. |                                |      | Nicht tolerierte Maß/Free size tolerances |  |
|   |      |                   | Dat.                           | Name | Maßstab/Scale<br><b>5:1</b>               | <b>Han-Yellock 60-</b><br><b>Abdeckkappe für Anbaugehäuse/</b><br><b>cover for housing bulkhead mounting</b> |
|   |      | Detail.           | 04.10.10                       | Ho   |   |  |
|   |      | Insp.             |                                | SP   |   |  |
|   |      | Stand.            |                                |      |   |  |
| A   |      |                   | HARTING Electric GmbH & Co. KG |      |   | <b>TB 11 12 600 5401</b>   |
| Mod.  | Dat. | Name              | D-32339 Espelkamp              |      |   |  |
|   |      |                   |                                |      | Sub.                                      | Blatt/page   |