

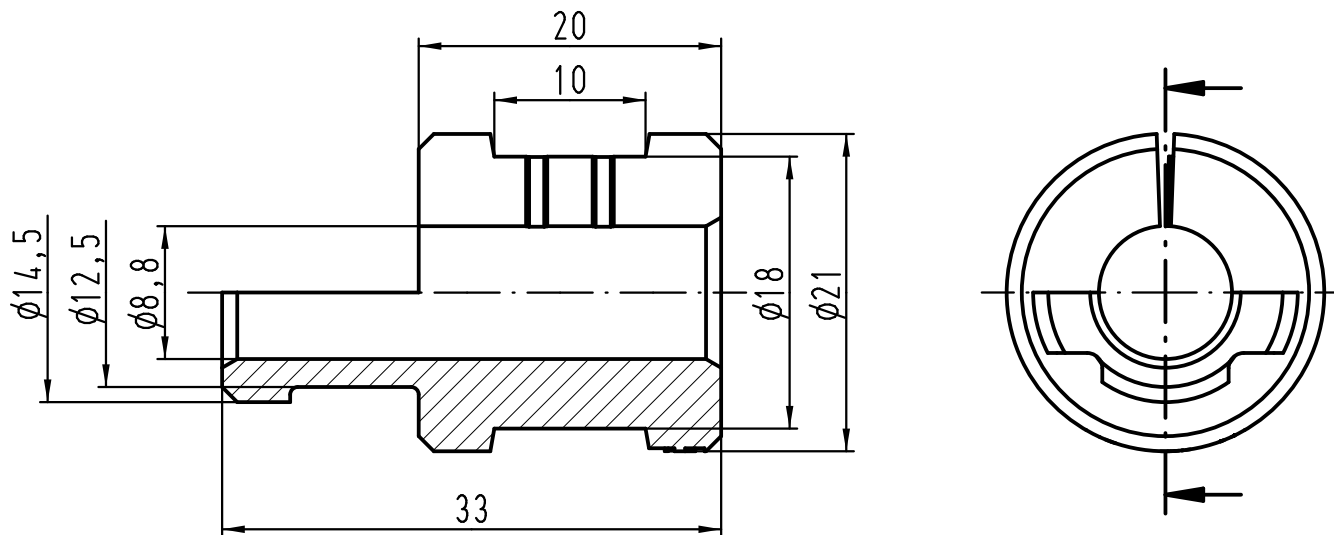
1 2 3 4 5 6

A

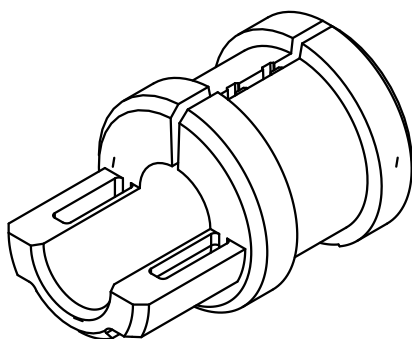
B

C

D



verwendbarer Kabel- ϕ 8-9
 suitable cable- ϕ 8-9



| | | | | | | |
|---|------|-------------------|---|-------------|---|--|
| All Dimensions in mm Original Size DIN A 4 | | Techn. Character. | | | Nicht tolerierte Maße/ Free size tolerances | |
| | | | Dat. | Name | Maßstab/ Scale 2:1 | Kabeldurchführungstülle Cable entry gland |
| | | | Detail. | 07.03.12 Ho | | |
| | | | Insp. | Be | | |
| | | | Stand. | | | |
| A | | | HARTING Electric GmbH & Co. KG D-32339 Espelkamp | | | TB 09 00 000 5356 |
| Mod. | Dat. | Name | | | | |
| | | | | | | Blatt/ page |