

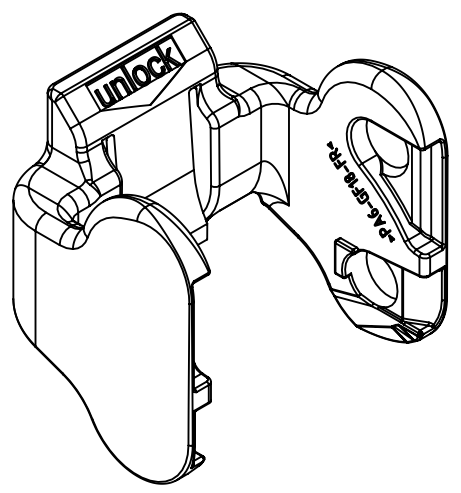
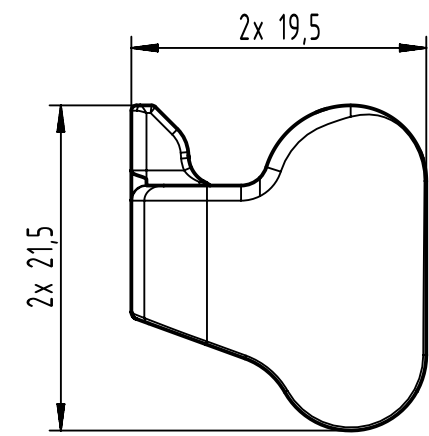
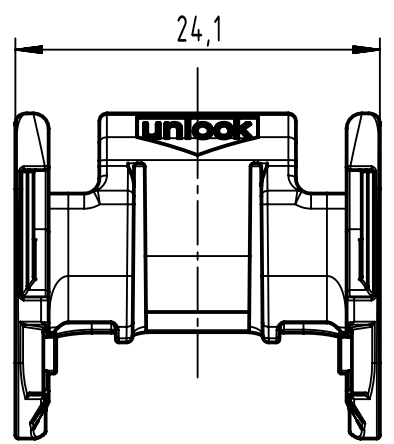
1                      2                      3                      4                      5                      6


A

B

C

D



	All rights reserved Department EL PD	All Dimensions in mm Original Size DIN A4		Scale 2:1	Free size tol.	Ref.
		Created by SHENGJ	Inspected by WANGSTE	Standardisation ROEBEN	Date 2022-05-12	State Final Release
HARTING D-32339 Espelkamp		Title Han® S 120 SL UP			Doc-Key / ECM-Nr. 100985108/UGD/001/A 500000207972	
		Type TB	Number 09 93 000 9960		Rev. A	Page 1/1