

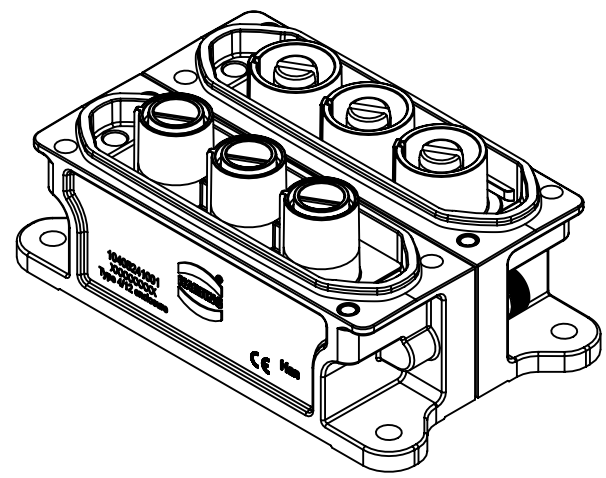
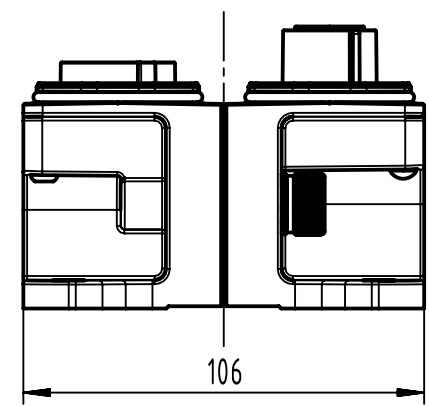
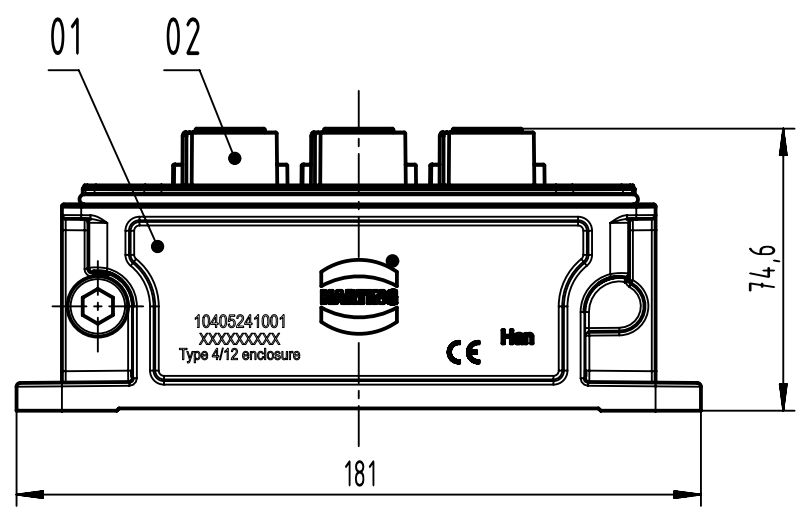
1 2 3 4 5 6

A

B

C

D



					Total net weight about:	1519g
02	09 11 006 2621	1	pcs	Han 6HC350-MFI-for 24HPR Comp. U Adapter	635g	
01	09 40 524 4501	1	pcs	Han 24HPR-Compact-U Adapter-HSM-for SCL	884g	
Item	Part number	QTY	Unit	Description	Weight	
All Dimensions in mm Original Size DIN A4		Scale	Free size tol.		Ref.	
All rights reserved Department EL PD		4:06869	Inspected by	Standardisation	Date	State
HARTING D-32339 Espelkamp		Title Han 24HPR-Compact-U Adapter-6xHC350			2022-06-22 Final Release	
		Type	Number		Rev.	Page
		TB	10 40 524 1001		B	1/1
					Doc-Key / ECM-Nr.	
					100981341/UGD/001/B	
					500000219635	