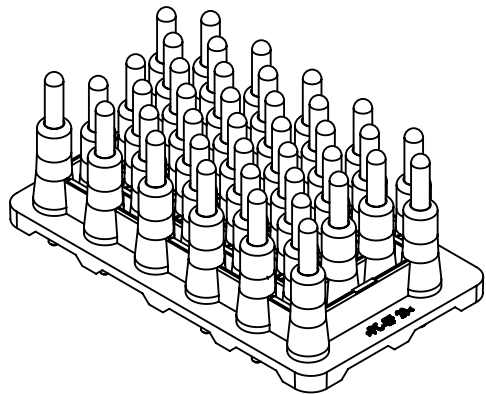
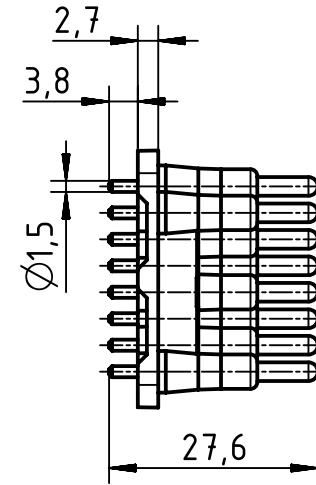
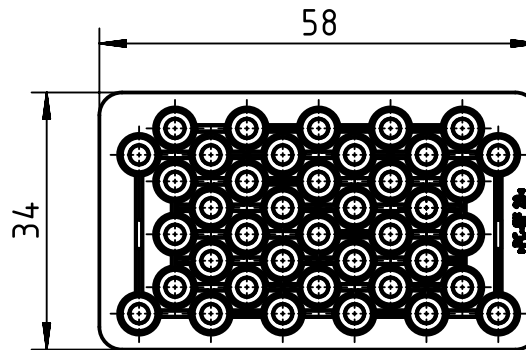
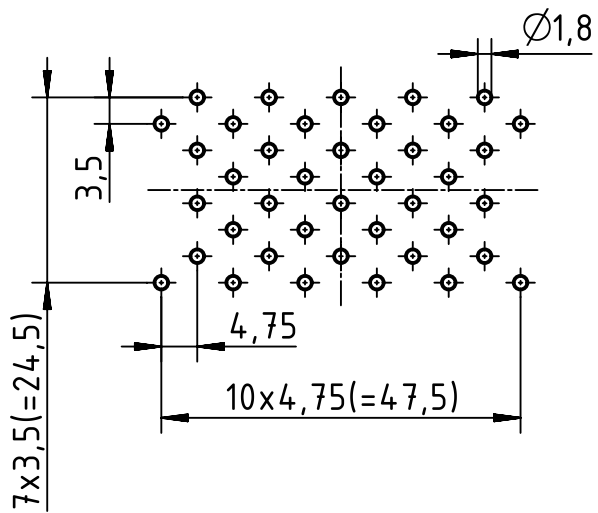


Layout of printed circuit boards



	All rights reserved Department EL PD HARTING Electric GmbH & Co. KG D-32339 Espelkamp	All Dimensions in mm Original Size DIN A4		Scale 1:1	Free size tol.	Ref. Sub.
		Created by FINKEV	Inspected by RIEPE	Standardisation TIEMANNA	Date 2018-07-17	State Final Release
Title Han 40EEE PCB adapter				Type TB	Number 09 33 000 9880	Rev. D Page 1/1