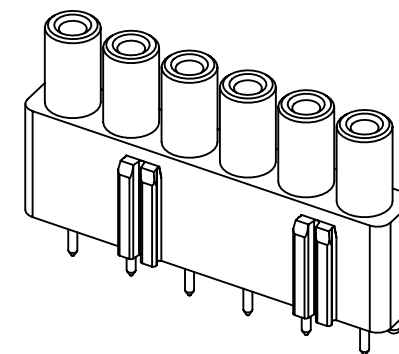
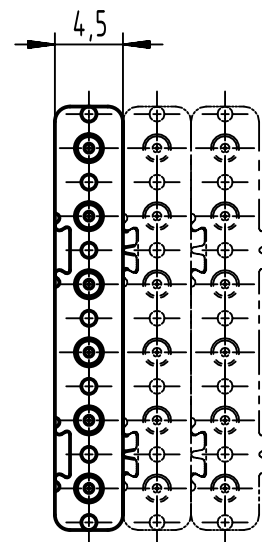
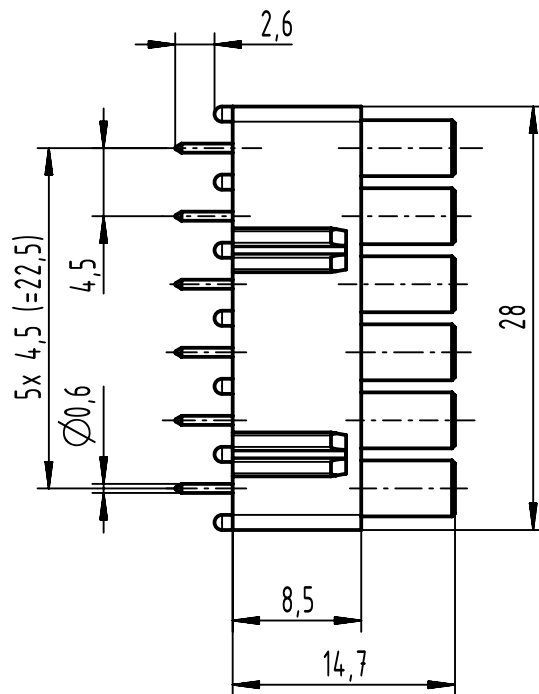
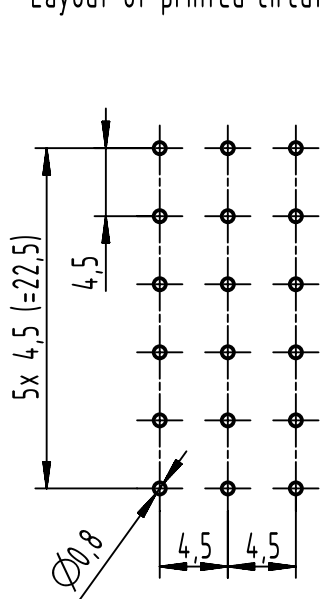



Layout of printed circuit boards



Working current max. 7,5 A

	All rights reserved Department EL PD	All Dimensions in mm Original Size DIN A4	Scale 2:1	Free size tol.		Ref. Sub. TB 09 16 000 9905 rev. A from 22.07.02	
		HARTING D-32339 Espelkamp	Created by LUPU	Inspected by 402602	Standardisation	Date 2022-11-10	State Final Release
Title LP-ADAPTER Han DD						Doc-Key / ECM-Nr. 100105570/UGD/004/B 500000229769	
			Type TB	Number 09 16 000 9905		Rev. B	Page 1/1