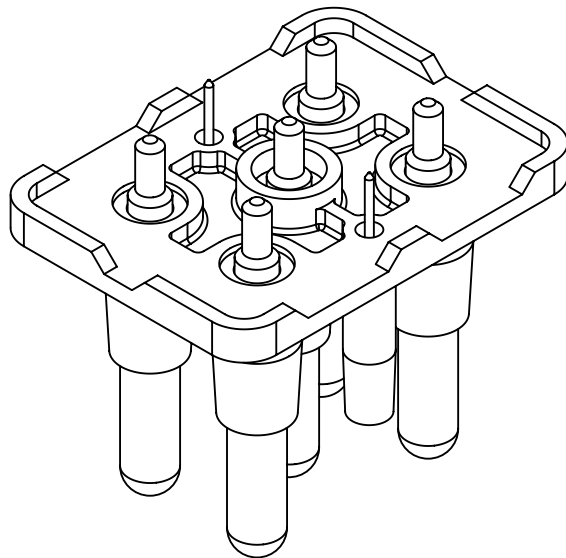
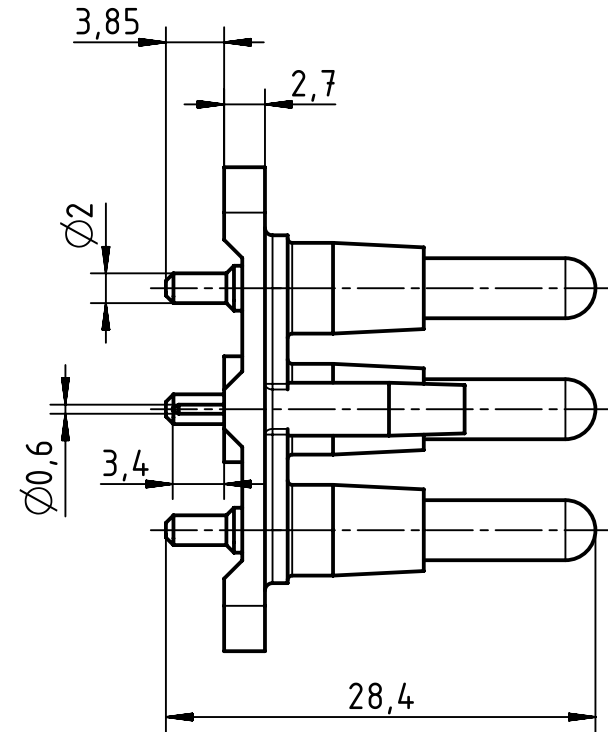
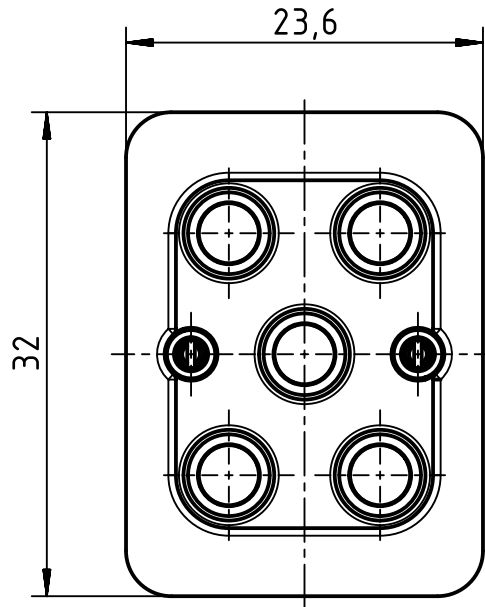
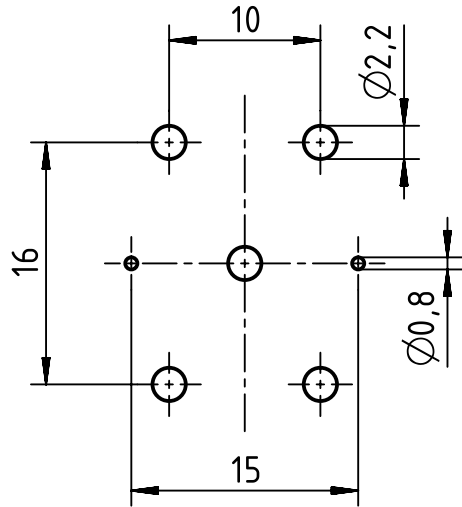



Layout of printed circuit boards



	All Dimensions in mm Original Size DIN A4		Scale 2:1	Free size tol.		Ref.	
	All rights reserved Department EL PD - DE		Created by KLASSEN P	Inspected by SCHNIEDER	Standardisation TIEMANNA	Date 2017-02-22	State Final Release
HARTING Electric GmbH & Co. KG D-32339 Espelkamp		Title LP-Adapter Han Q 4/2				Doc-Key / ECM-Nr. 100132513/UGD/005/A 500000115896	
		Type TB	Number 09 12 006 9901			Rev. A	Page 1/1