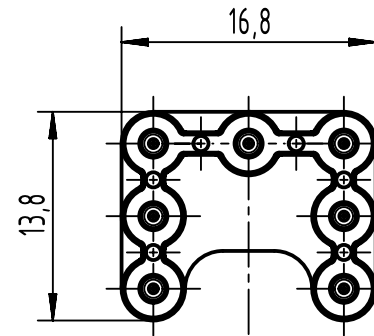
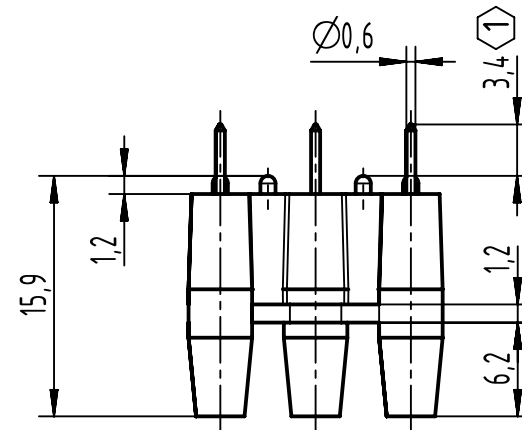
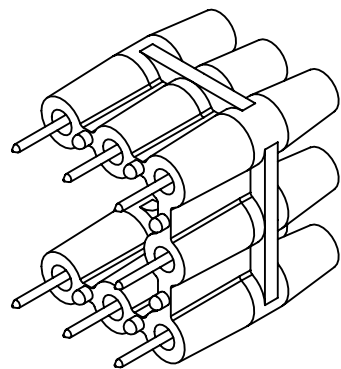
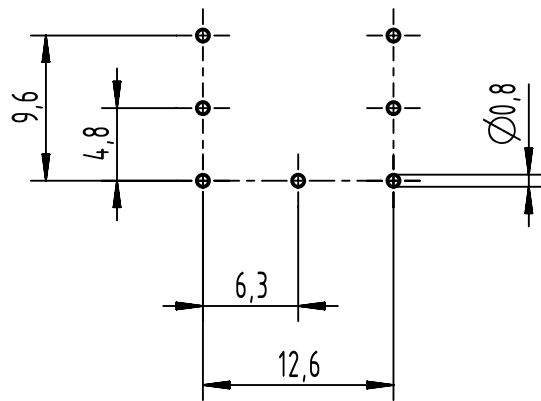



Layout of printed circuit boards



① for printed boards up to 2,4mm

	All rights reserved Department EL PD	All Dimensions in mm Original Size DIN A4	Scale 2:1	Free size tol.	Ref.
		Created by 00103855	Inspected by RIEPE	Standardisation	Date 2023-04-26
HARTING D-32339 Espelkamp		Title PCB adapter Han Q7/0			Doc-Key / ECM-Nr. 100086258/UGD/004/B 500000242467
		Type TB	Number 09 12 000 9908		Rev. B
					Page 1/1