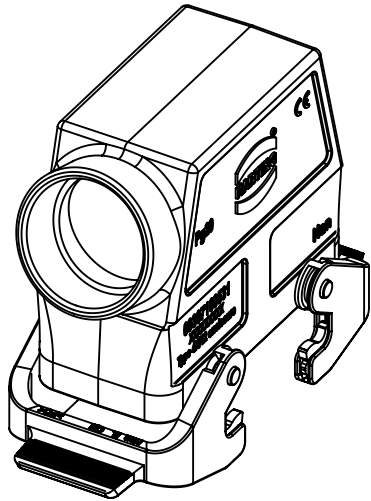
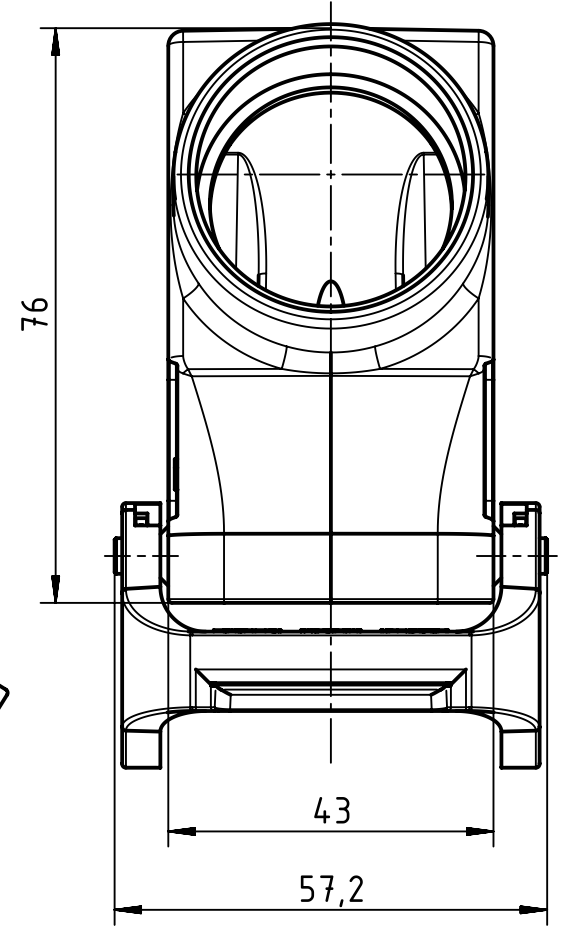
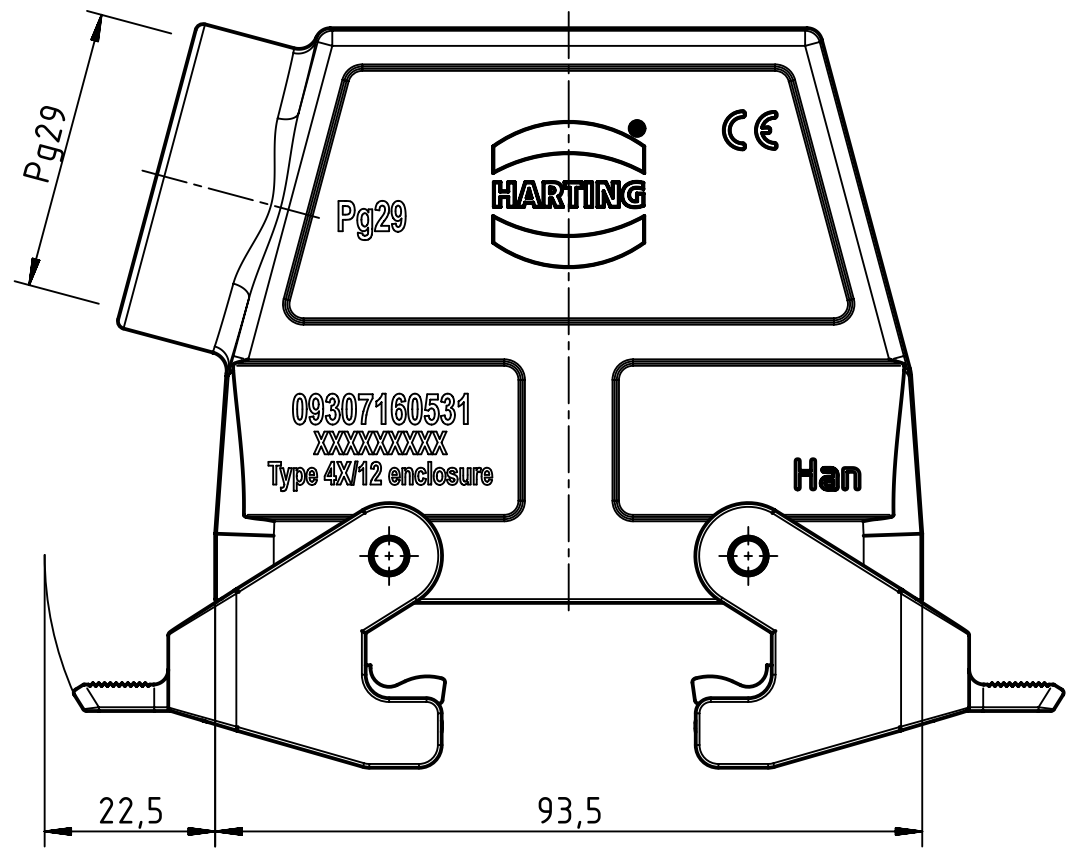


1 2 3 4 5 6

A  
B  
C  
D



	All Dimensions in mm Original Size DIN A4		Scale 1:1	Free size tol.		Ref.
						Sub.
	All rights reserved		Created by HELLMANN	Inspected by GERB	Standardisation RUETERA	Date 2020-02-27
	Department EL PD					State Final Release
HARTING Electric GmbH & Co. KG D-32339 Espelkamp			Title Han B Hood Side Ent HC 2 Levers PG29 bla			Doc-Key / ECM-Nr. 100214263/UGD/003/D 500000166910
			Type TB	Number 09 30 716 0531		Rev. D Page 1/1