

1 2 3 4 5 6

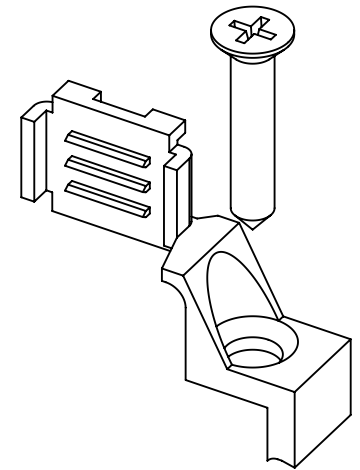
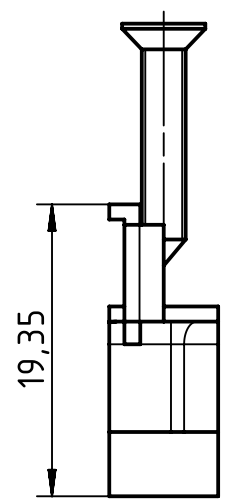
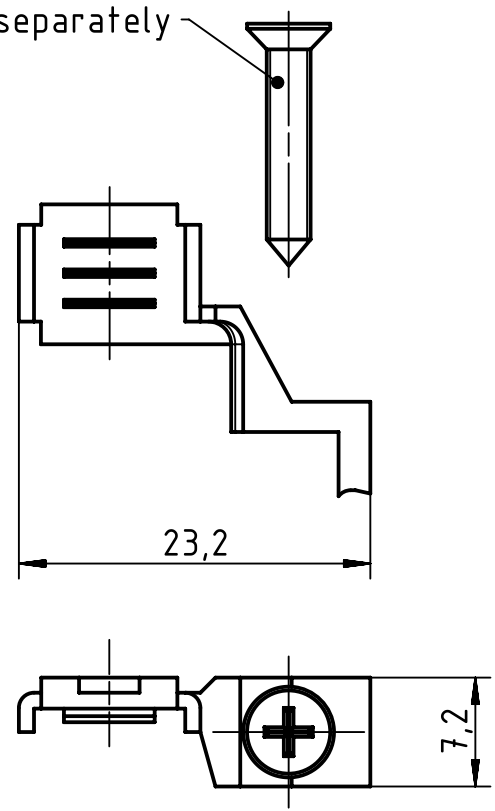
A


B

C

D

enclosed separately



	All Dimensions in mm Original Size DIN A4		Scale 2:1	Free size tol.		Ref.		
	All rights reserved Department EL PD		Created by MOELLERLI	Inspected by BEISCHER	Standardisation RUETERA	Date 2019-10-09	State Final Release	
HARTING Electric GmbH & Co. KG D-32339 Espelkamp		Title GND adapter Shielded power module female					Doc-Key / ECM-Nr. 100803316/UGD/001/C 500000158899	
		Type TB	Number 09 14 000 9808			Rev. C	Page 1/1	