

A

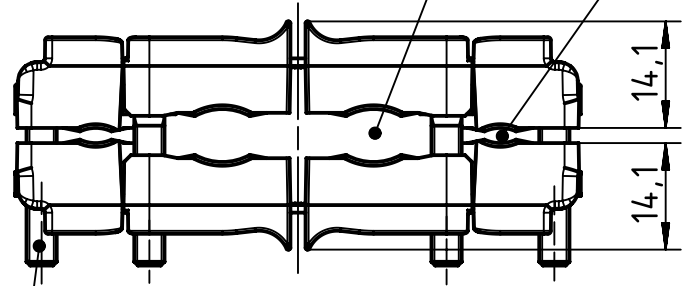
B

C

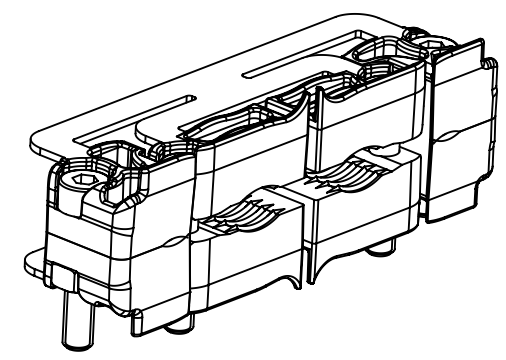
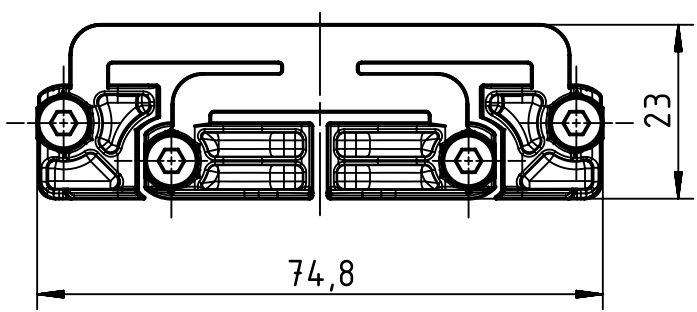
D

clamping range 5-16mm

clamping range 4-10mm



4x ISO 4762 M4x20  
separately enclosed  
apply a torque of 0,5-1Nm



	All Dimensions in mm Original Size DIN A4		Scale 1:1	Free size tol.		Ref.
						Sub.
	All rights reserved		Created by DEIMEL	Inspected by GRIEPENSTROH	Standardisation RUETERA	Date 2019-04-25
	Department EL PD		Title strain relief for Flexbox hood 4 entries			State Final Release
HARTING Electric GmbH & Co. KG D-32339 Espelkamp			Type TB	Number 09 14 000 8034		Doc-Key / ECM-Nr. 100802405/UGD/001/A 500000150049
					Rev. A	Page 1/1