

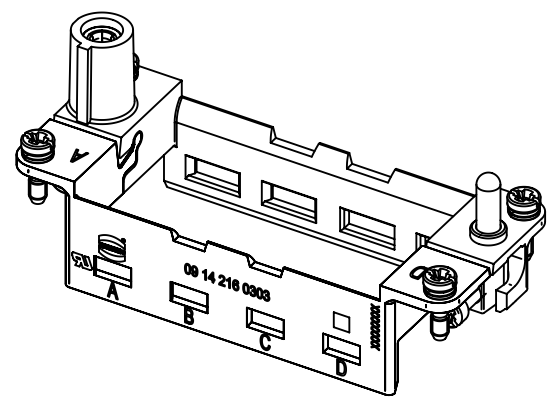
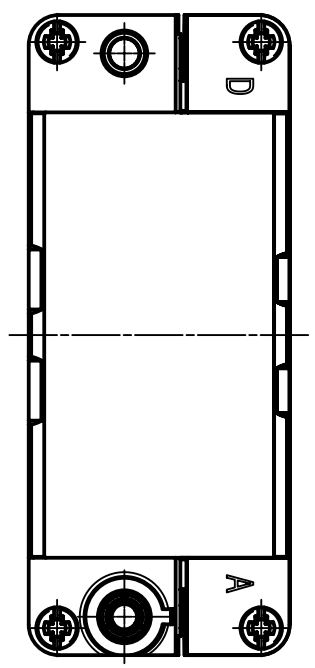
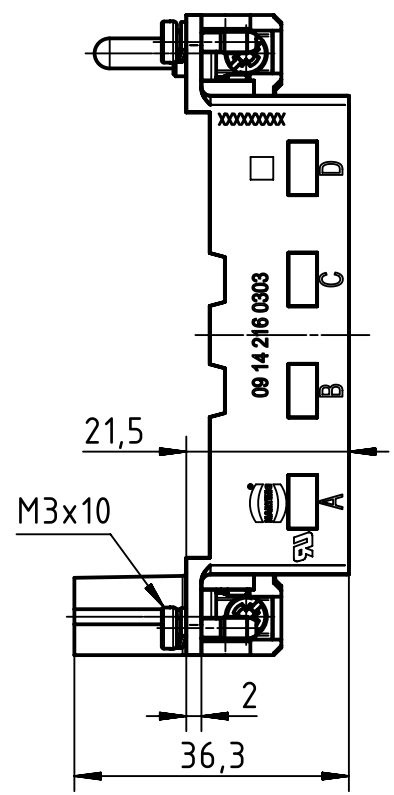
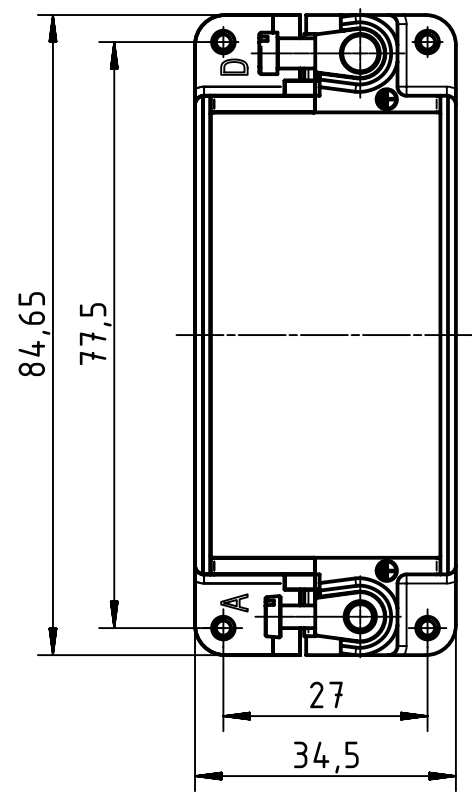
1 2 3 4 5 6


A

B

C

D



	All Dimensions in mm Original Size DIN A4		Scale 1:1		Free size tol.		Ref. Sub. TB 09 14 016 0303 v. 14.07.2009			
	All rights reserved Department EL PD - DE		Created by HOLLERT		Inspected by WANGX		Standardisation TIEMANNA			
HARTING Electric GmbH & Co. KG D-32339 Espelkamp			Title Hinge frame HMC for 4 modules				Date 2014-07-07		State Final Release	
			Type TB		Number 09 14 216 0303			Doc-Key / ECM-Nr. 100583155/UGD/006/A 500000076370		
							Rev. A		Page 1/1	