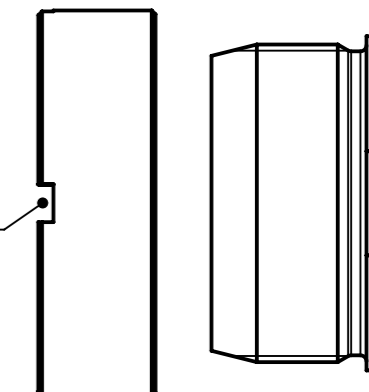
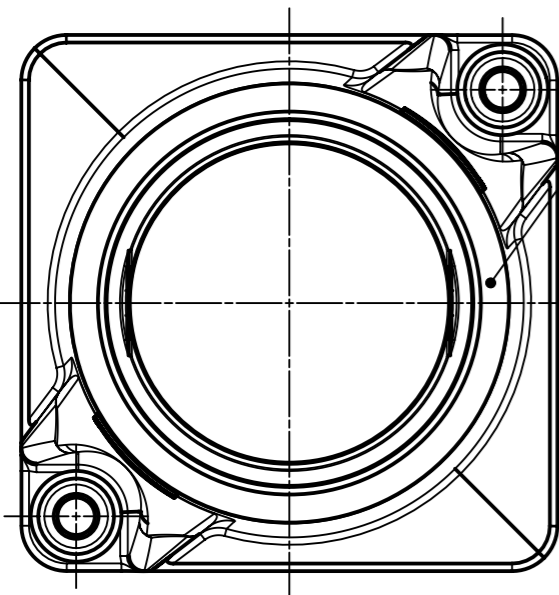


Han 1HC-M-TC 800 fixing elements

tightening torque
5Nm

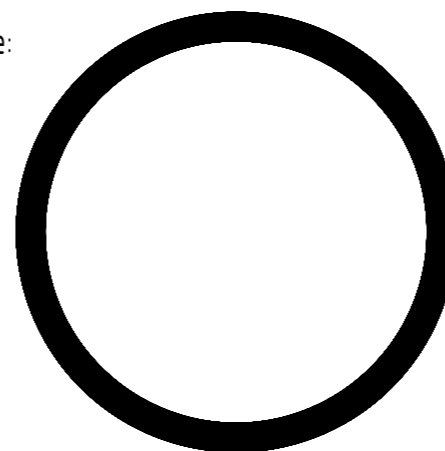


tightening torque:
4Nm

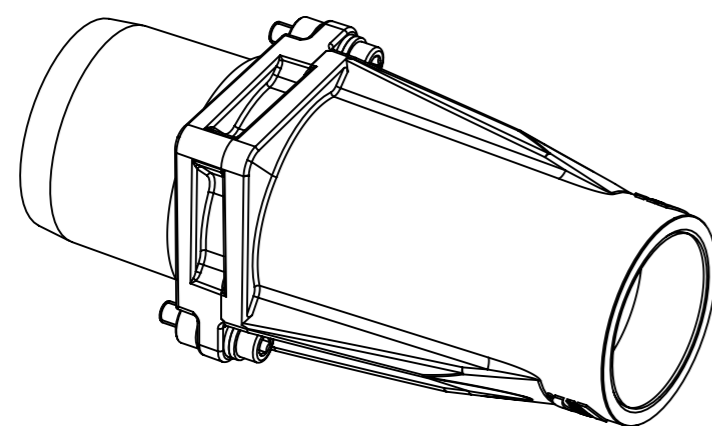


potential transition
apply corrosion inhibitor on this face:


Important: no inhibitor allowed
on any adjacent surfaces e.g.
inner thread



corrosion inhibitor, 4g tube
not included in delivery
can be ordered as an accessory (09990000969)
tube design may differ from original



parts in scope of delivery are not assembled
assembly instructions acc. to QR-code on packaging

	All rights reserved		Created by DEIMEL	Inspected by 104260	Standardisation	Date 2023-11-03	State Final Release
	Department EL PD		Title Han HPR SP3 95mm ² w/o CG		Doc-Key / ECM-Nr. 100876675/UGD/000/B 500000256370		Rev. B
HARTING D-32339 Espelkamp		Type TB	Number 10 40 331 1218		Page 1/1		