

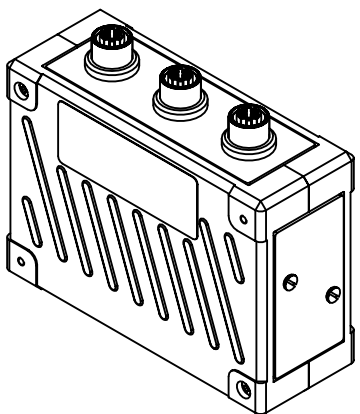
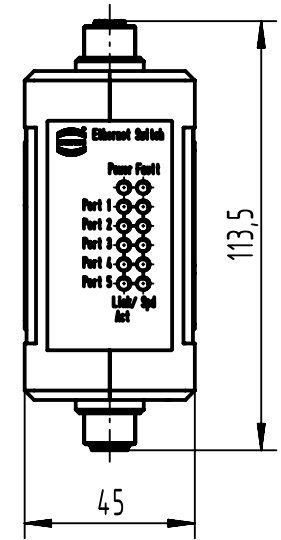
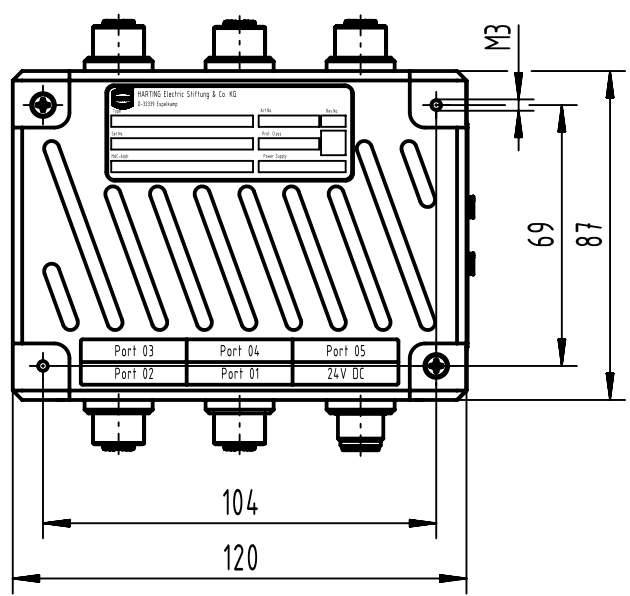
1 2 3 4 5 6

A

B

C

D



	All rights reserved Department EL PD	All Dimensions in mm Original Size DIN A4		Scale 1:2	Free size tol.	Ref. Sub. TB 20 70 305 3943 v. 12.09.08	
		HARTING D-32339 Espelkamp	Created by HOLLERT	Inspected by KLEINEM	Standardisation SAP_WFRT	Date 2022-03-01	State Final Release
				Title Ha-VIS eCon 7050-B1			Doc-Key / ECM-Nr. 100142480/UGD/005/C 500000211660
				Type TB	Number 20 70 305 3943		Rev. C
						Page 1/1	