

15
75,6

Pg21

Pg21



093001
XXXX
Type 4X1

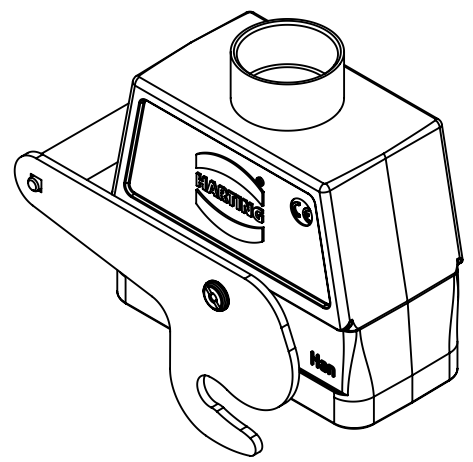
76

93,5

45

43

55,8



All Dimensions in mm Original Size DIN A4		Scale 1:1		Free size tol.		Ref. Sub.		
	All rights reserved		Created by FINKEV	Inspected by GERB	Standardisation TIEMANNA	Date 2019-12-17	State Final Release	
	Department EL PD		Title Han 16B-gg-ZV-21				Doc-Key / ECM-Nr. 100220767/UGD/002/E 500000162675	
HARTING Electric GmbH & Co. KG D-32339 Espelkamp			Type TB	Number 09 30 016 0480			Rev. E	Page 1/1