

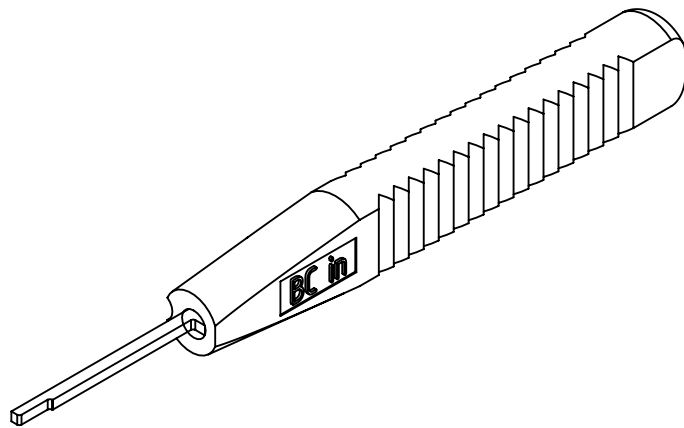
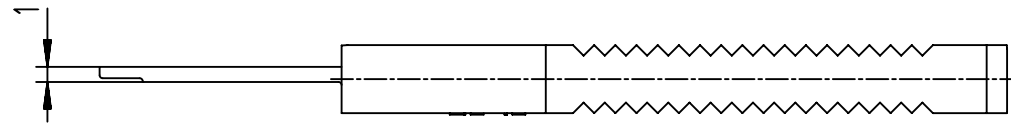
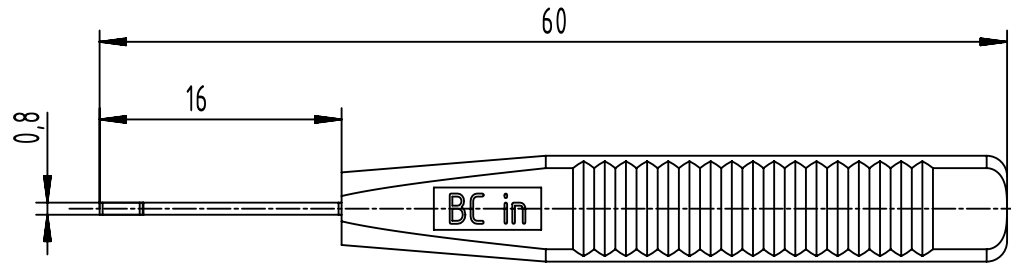
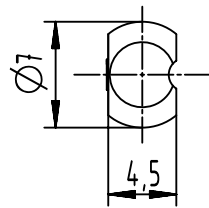
1 2 3 4 5 6


A

B

C

D



|   |   |  |                      |                       |  |                    |
|---|---|--|----------------------|-----------------------|--|--------------------|
|  | All rights reserved<br>Department EL PD | All Dimensions in mm<br>Original Size DIN A4 | Scale<br>2:1         | Free size tol.        | Ref.   |                    |
|   |   | HARTING<br>D-32339 Espelkamp                 | Created by<br>STORCK | Inspected by<br>ZWAHR | Standardisation  | Date<br>2022-10-26 |
| Title<br>insertion tool for BC crimp  |   |  |                      |                       | Doc-Key / ECM-Nr.<br>100201287/UGD/002/A<br>500000213504 |                    |
|   |   |  | Type<br>TB           | Number<br>09990000100 | Rev.<br>A  | Page<br>1/1        |