

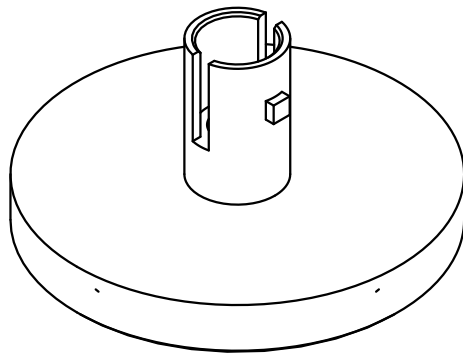
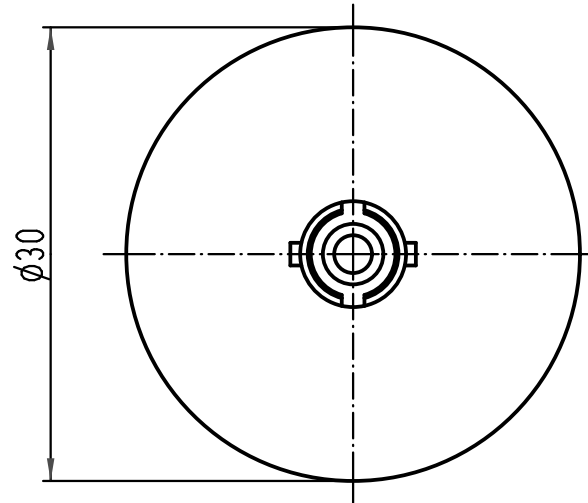
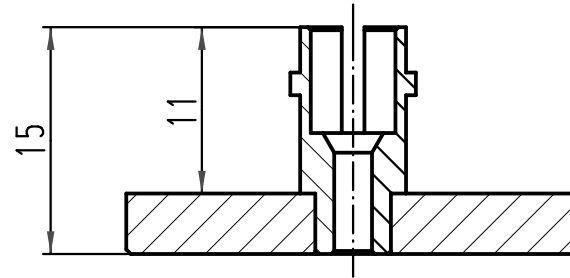
1 2 3 4 5 6

A

B

C

D



| | | | | | | |
|---|------|-------------------|---|--------------|---|------------------------------------|
| All Dimensions in mm Original Size DIN A 4 | | Techn. Character. | | | Nicht tolerierte Maße/ Free size tolerances | |
| | | | Dat. | Name | Maßstab/ Scale 2:1 | Schleifteller ST polishing disc |
| | | | Detail. | 26.09.08 Bor | | |
| | | | Insp. | Drs | | |
| | | | Stand. | | | |
| 414168 | | | HARTING Electric GmbH & Co. KG D-32339 Espelkamp | | | TB 20 99 000 1095 |
| Mod. | Dat. | Name | | | | |
| | | | | | | Sub. |