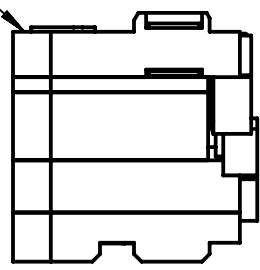


1 2 3 4 5 6

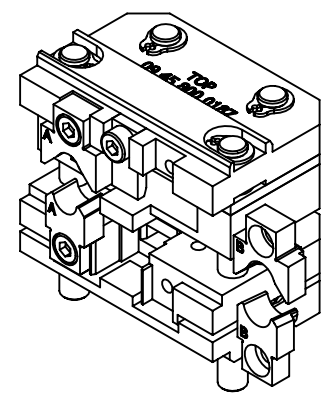
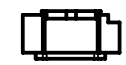
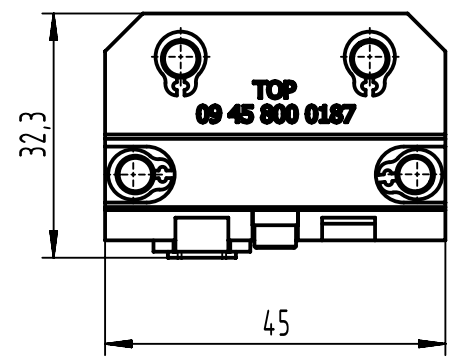
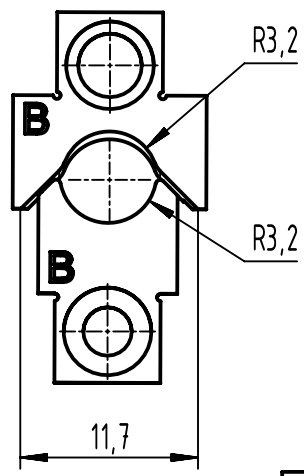
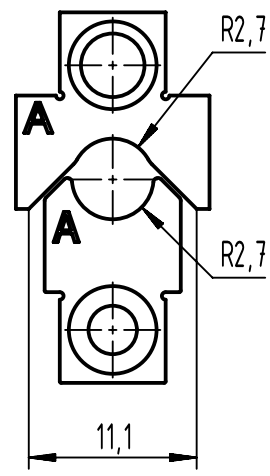
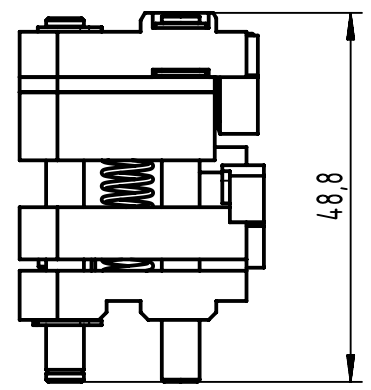
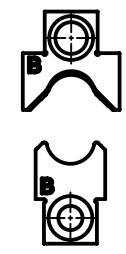
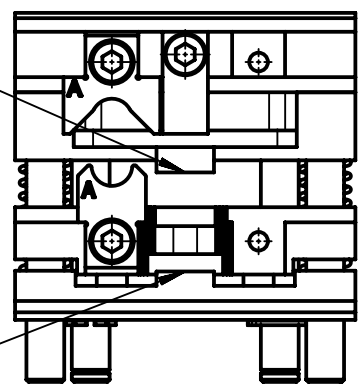
A
B
C
D

Top Insert 2: compressed



Wire Manager
Upper Punch

Wire Manager
Lower Punch



Shielding crimping inserts "A"
for 5,5-6,4 cable diameter

Shielding crimping inserts "B"
for 6,5-7,5 cable diameter

	All rights reserved Department EL PD	All Dimensions in mm Original Size DIN A4		Scale 1:1	Free size tol.	Ref. Sub.
		Created by BALSAN	Inspected by PREOTU	Standardisation ROEBEN	Date 2023-03-14	State Final Release
HARTING D-32339 Espelkamp		Title ix Industrial handtool insert 2			Doc-Key / ECM-Nr. 101045822/UGD/001/B 500000239636	
		Type TB	Number 09458000187		Rev. B	Page 1/1