

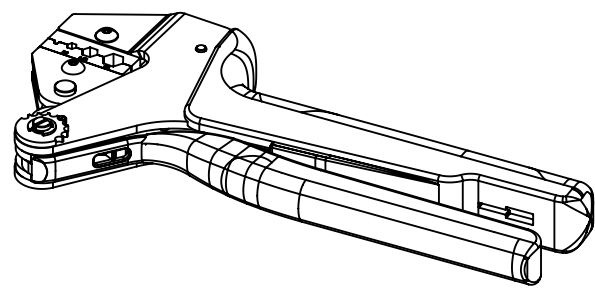
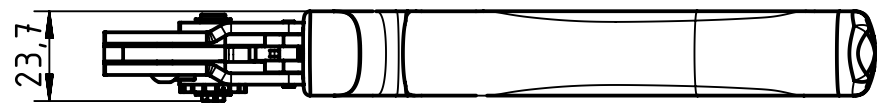
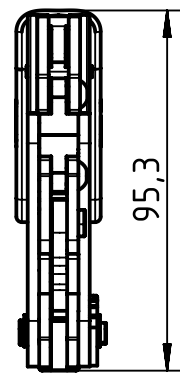
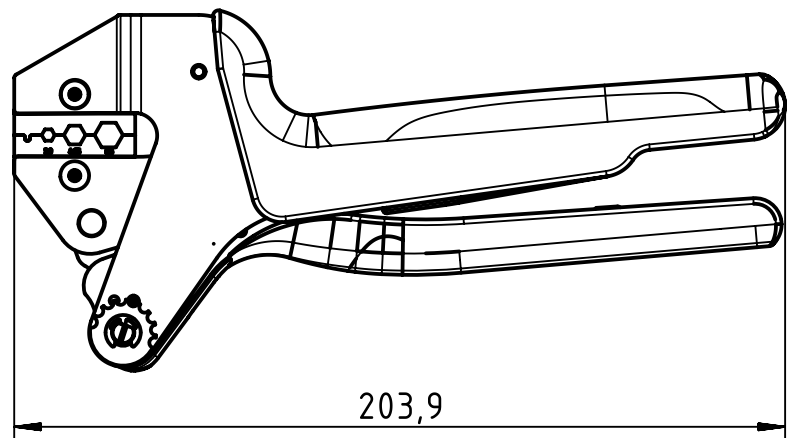
1 2 3 4 5 6

A

B


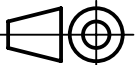
C

D



cross section range:

- profil 1 SW 3,0 mm
- profil 2 SW 4,95 mm
- profil 3 SW 6,5 mm

	 All Dimensions in mm Original Size DIN A4	Scale 1:2	Free size tol.		Ref.	
	All rights reserved Department EL PD - DE	Created by PETERSM	Inspected by GERB	Standardisation TIEMANNA	Date 2015-10-09	State Final Release
HARTING Electric GmbH & Co. KG D-32339 Espelkamp		Title CRIMPING TOOL FOR POF			Doc-Key / ECM-Nr. 100642643/UGD/000/A 500000095067	
		Type TB	Number 20 99 000 1033		Rev. A	Page 1/1