

Positionierhülse für Handcrimpzange 09 99 000 0509
 Locator for hand crimp tool 09 99 000 0509

Passend für alle M12 Power Stift- und Buchsenkontakte
 Suitable for all M12 Power male- and female contacts

Farbkennzeichnung: rot
 Color code: red

1

2

3

4

5

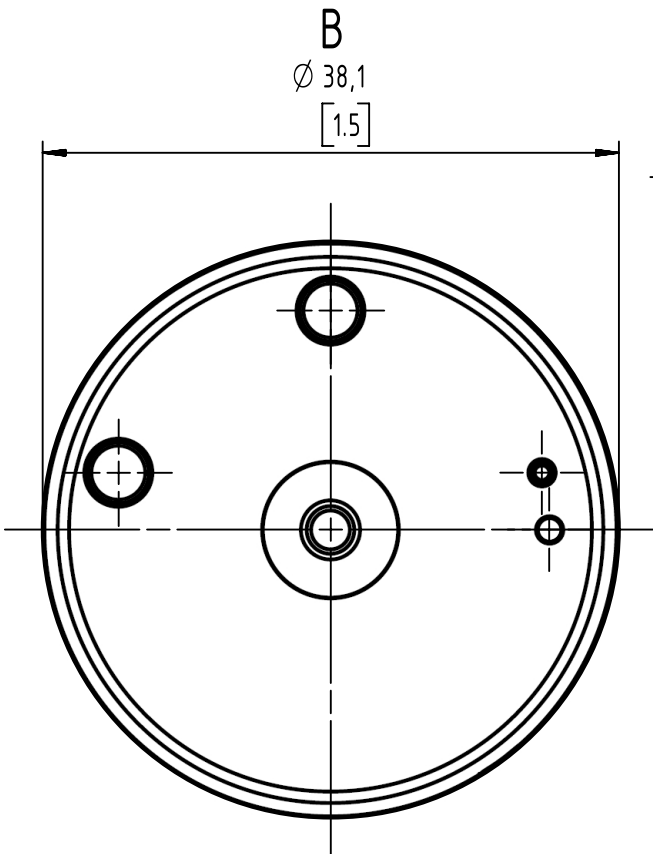
6

A

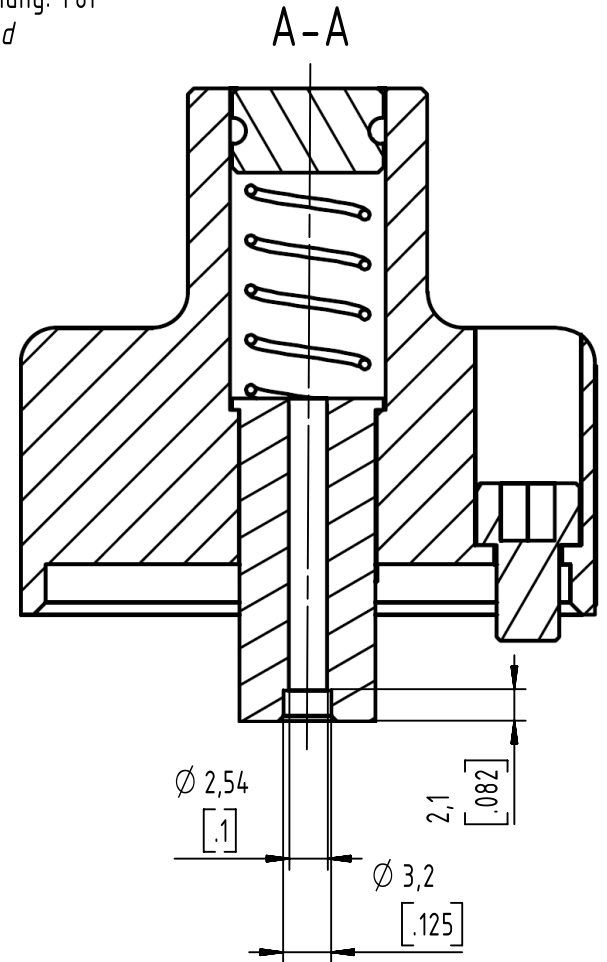
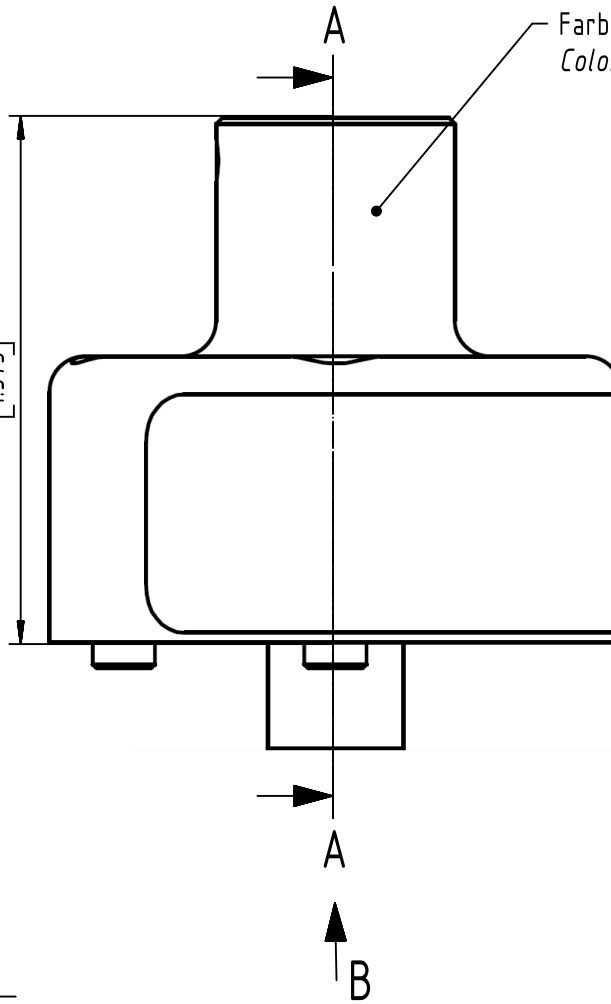
B

C

D



34,9
 [1.375]



	All rights reserved Department EC PD - DE	All Dimensions in mm Original Size DIN A4		Scale 2:1	Free size tol.	Ref. Sub.	
		HARTING Electronics GmbH D-32339 Espelkamp	Created by WAERMKER	Inspected by HAERTLING	Standardisation HOFFMANN	Date 2016-07-12	State Final Release
		Title M12 power locator				Doc-Key / ECM-Nr. 100678975/UGD/001/A 500000106408	
		Type TB	Number 09990000638			Rev. A	Page 1/1