

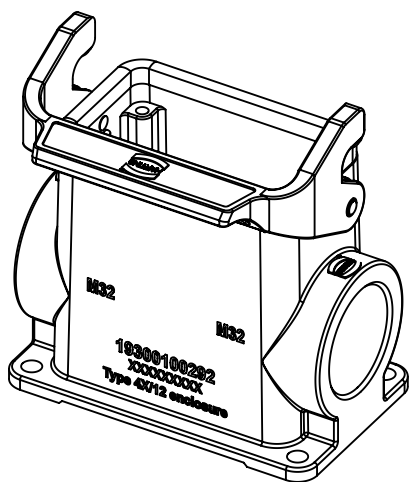
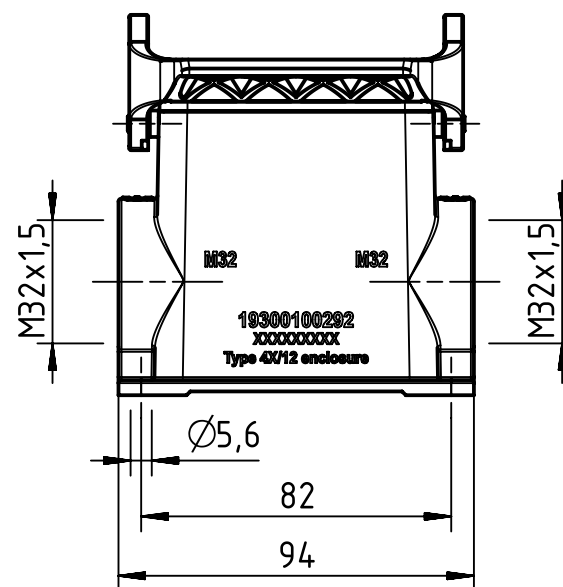
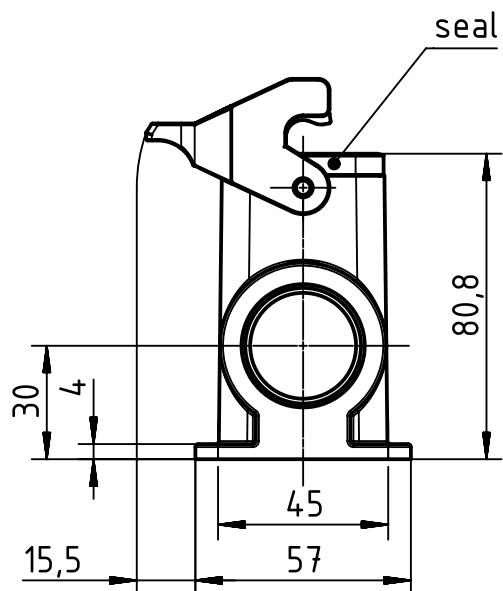
1 2 3 4 5 6

A

B

C

D



	All Dimensions in mm Original Size DIN A4		Scale 1:2	Free size tol.	Ref.
			Created by SPRENB	Inspected by GERB	Standardisation GARSKE
All rights reserved		Date 2019-12-04		State Final Release	
Department EL PD		Title Han B Base Surface HC 1 Lever 2 x M32			Doc-Key / ECM-Nr. 100209249/UGD/004/C 500000161045
HARTING Electric GmbH & Co. KG D-32339 Espelkamp		Type TB	Number 19 30 010 0292		Rev. C Page 1/1