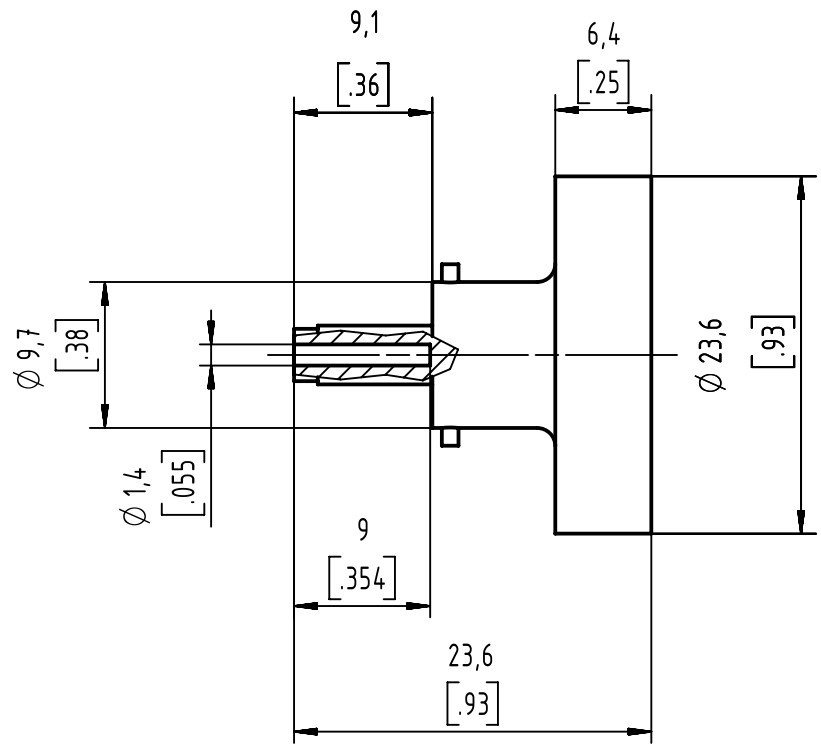
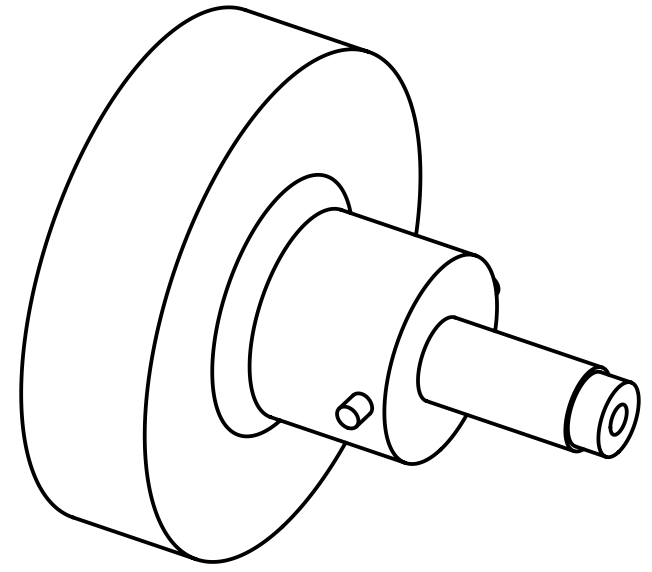


USE WITH CONTACTS  
HARTING

	Selector			
AWG	23	24	26	28
24-28	/	5	4	4
23-26	5	5	4	/



Positionierhülse für Handcrimpzange 09 99 000 0501  
Positioner for hand crimp tool 09 99 000 0501

	All Dimensions in mm Original Size DIN A4		Scale 1:1	Free size tol.		Ref.		
	All rights reserved Department EC PD - DE		Created by WAERMKER	Inspected by GENAU	Standardisation HOFFMANN	Date 2015-08-31	State Final Release	
HARTING Electronics GmbH D-32339 Espelkamp		Title M12 harspeed locator female					Doc-Key / ECM-Nr. 100585444/UGD/001/B 500000093973	
		Type TB	Number 09990000635			Rev. B	Page 1/1	