

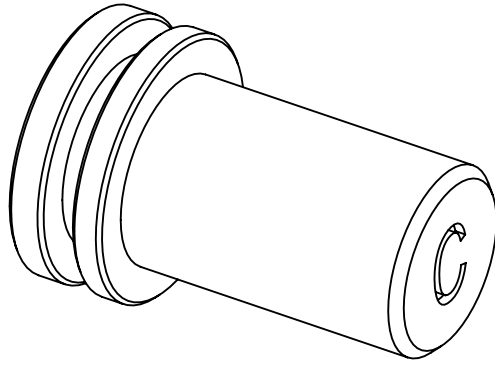
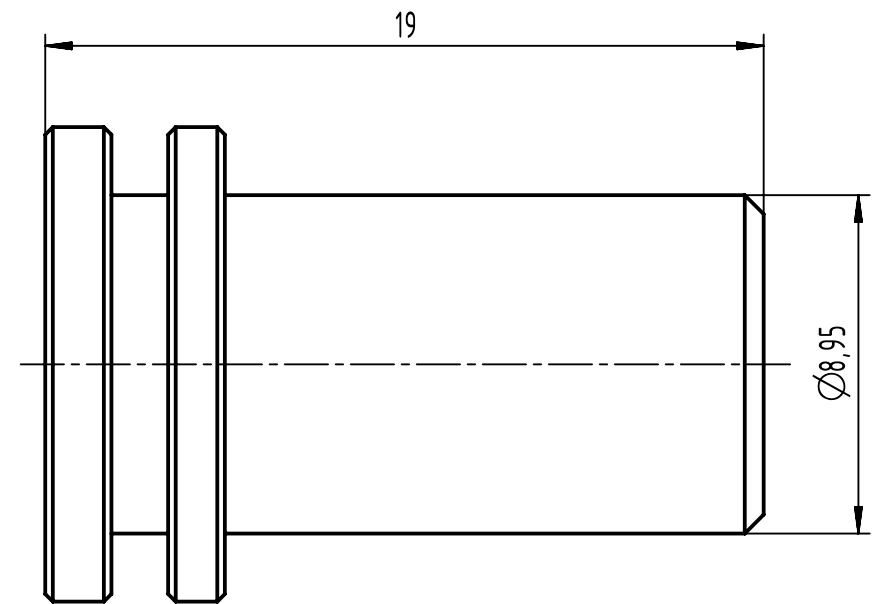
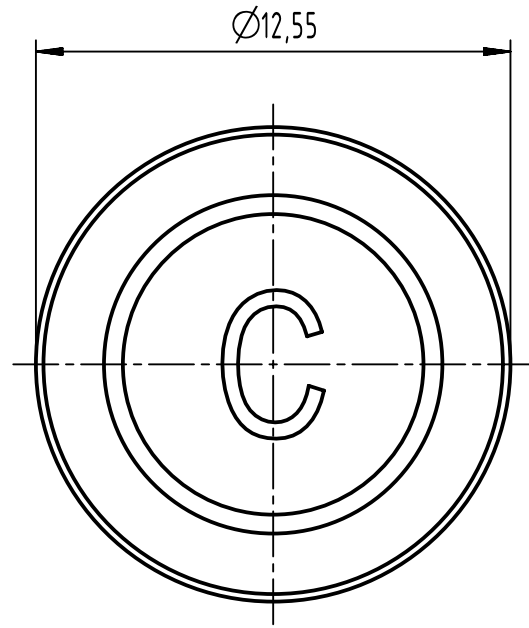
1 2 3 4 5 6


A

B

C

D



	All rights reserved Department EL PD	All Dimensions in mm Original Size DIN A4		Scale 5:1	Free size tol.	Ref. Sub. TB 09 99 000 0308 v. 07.05.04	
		Created by HOLLERT	Inspected by NICHTERLEIN	Standardisation 302077	Date 2021-05-03	State Final Release	
HARTING D-32339 Espelkamp		Title Locator Han C f. 0001				Doc-Key / ECM-Nr. 100090803/UGD/005/B 500000189311	
		Type TB	Number 09 99 000 0308			Rev. B	Page 1/1