

5

4

3

2

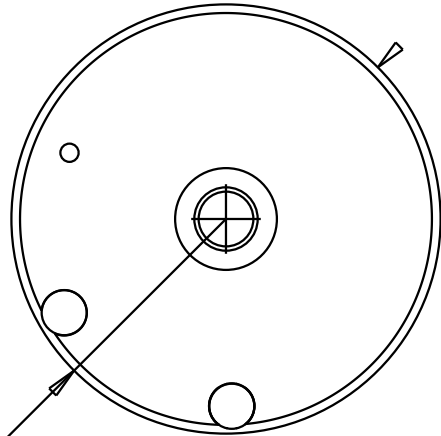
1

D

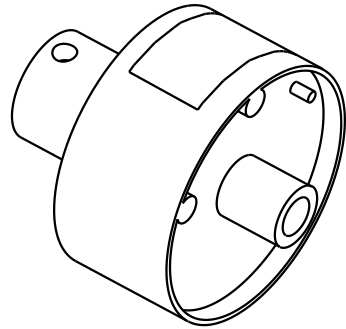
C

B

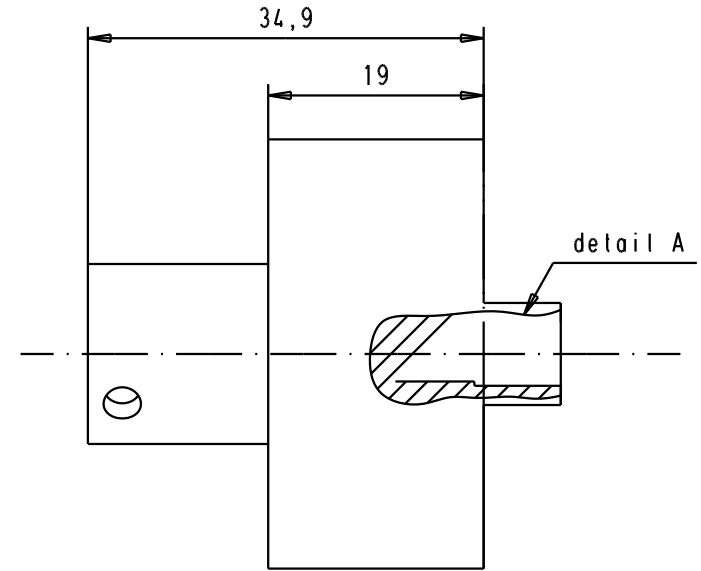
A



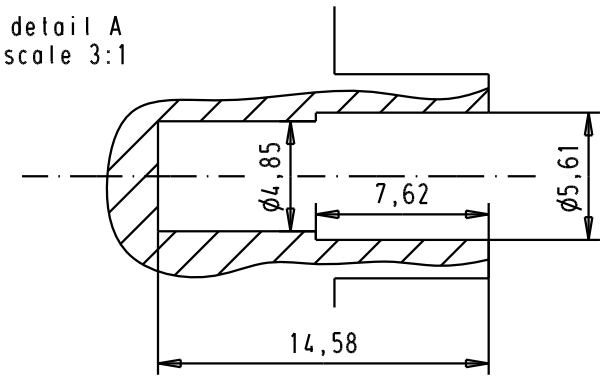
$\phi 37,8$





Used with hand crimp tool : 09 99 000 0509
and power crimp contacts : 09 69 182 X82X



detail A
scale 3:1



				Dat.	Name	 All Dim. in mm Orig. Size DIN A 4	positioner for single female power crimp contacts	Moßstab/ Scale
			Detail.	10/01/06	JMDR			1.5:1
			Insp.					
			Stand.					
							TB 09 99 000 0521	Blatt/ Page
33412	10/01/06	JMDR	HARTING EURL F-95972 Paris				1 1	
Mod.	Dat.	Name					Sub.	