

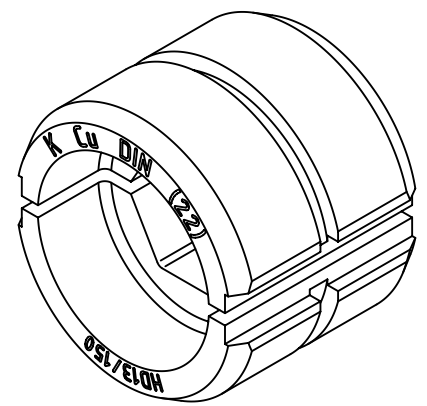
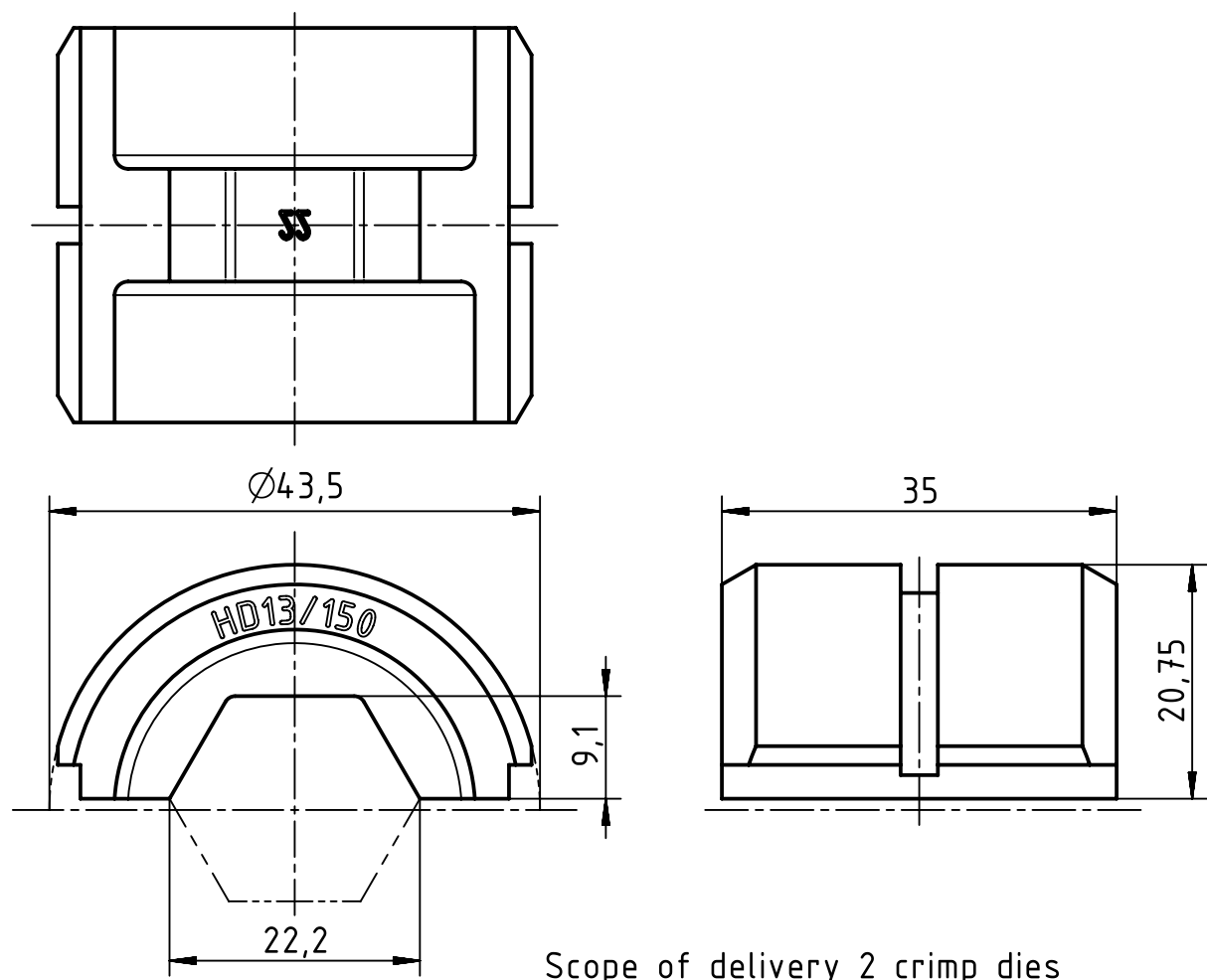
1 2 3 4 5 6

A


B

C

D



Scope of delivery 2 crimp dies

	All rights reserved		Created by		Inspected by		Standardisation		Date		State	
	Department EL PD - DE		HOLLERT		RIEPE		TIEMANNA		2014-11-21		Final Release	
HARTING Electric GmbH & Co. KG		D-32339 Espelkamp		Title		Crimp die 150mm ² for 120 kN tool		Doc-Key / ECM-Nr.		100587244/UGD/002/B		
				Type		TB		Number		09 99 000 0870		
								Rev.		B		
										Page		
										1/1		