

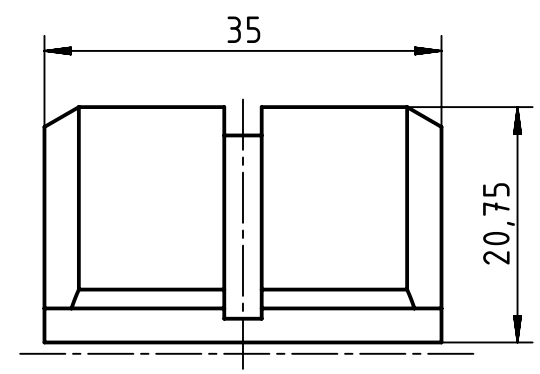
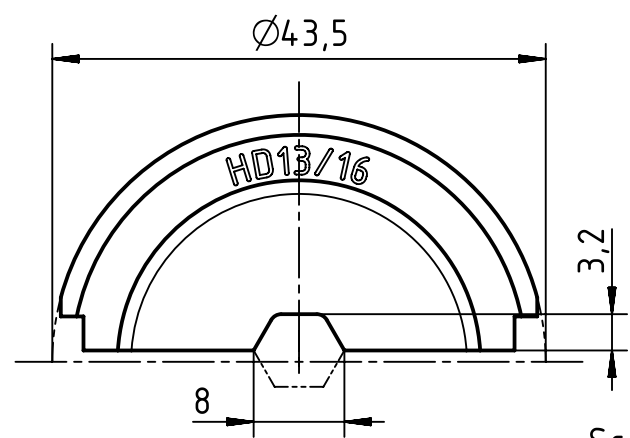
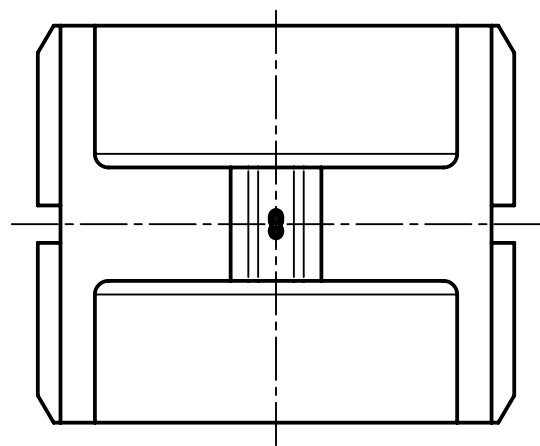
1 2 3 4 5 6

A

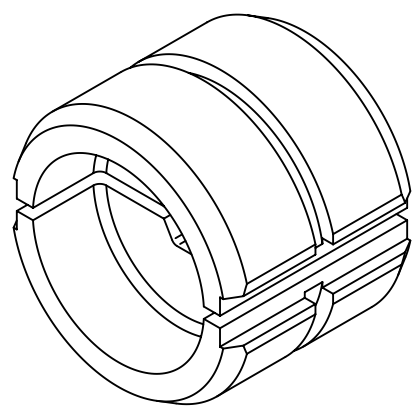
B


C

D



Scope of delivery 2 crimp dies



	All rights reserved Department EL PD - DE HARTING Electric GmbH & Co. KG D-32339 Espelkamp	All Dimensions in mm Original Size DIN A4	Scale 1.5:1	Free size tol.	Ref. Sub.
		Created by HOLLERT	Inspected by RIEPE	Standardisation TIEMANNA	Date 2014-11-21
Title Crimp die 16mm ² for 120 kN tool					Doc-Key / ECM-Nr. 100587205/UGD/002/B 500000081874
		Type TB	Number 09 99 000 0863		Rev. B Page 1/1