

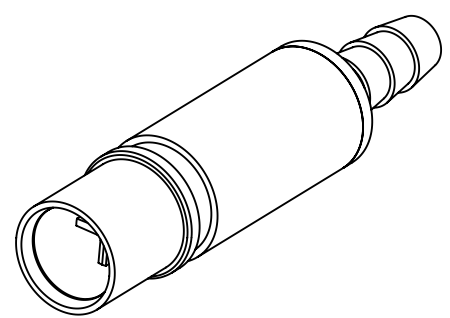
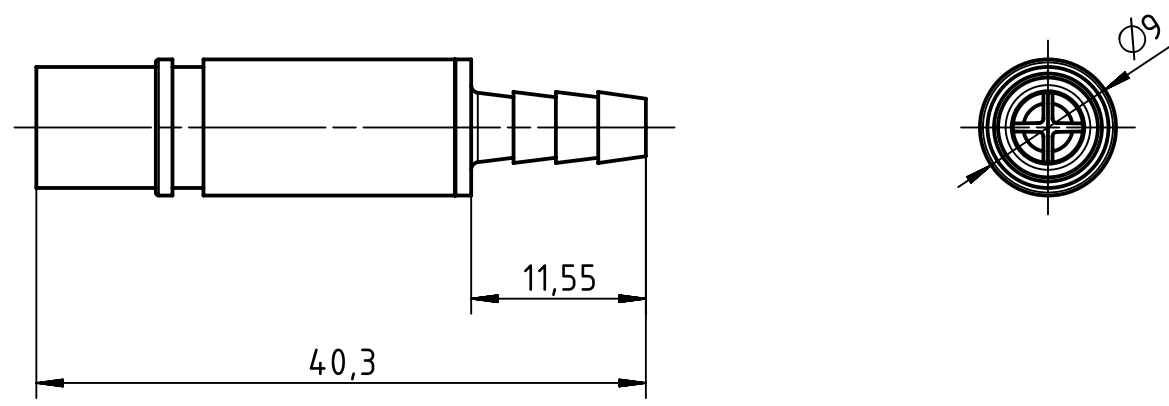
1 2 3 4 5 6


A

B

C

D



	All rights reserved Department EL PD		Created by MOELLERLI		Inspected by BEISCHER		Standardisation RUETERA		Date 2018-05-16		State Final Release		
	HARTING Electric GmbH & Co. KG D-32339 Espelkamp		Title Pneum. contact metal ID 4 female+valve						Doc-Key / ECM-Nr. 100657503/UGD/001/D 500000133860		Rev. D		Page 1/1
			All Dimensions in mm Original Size DIN A4		Scale 1:1		Free size tol.			Ref. Sub.			
			Type TB		Number 09 14 000 6414								