

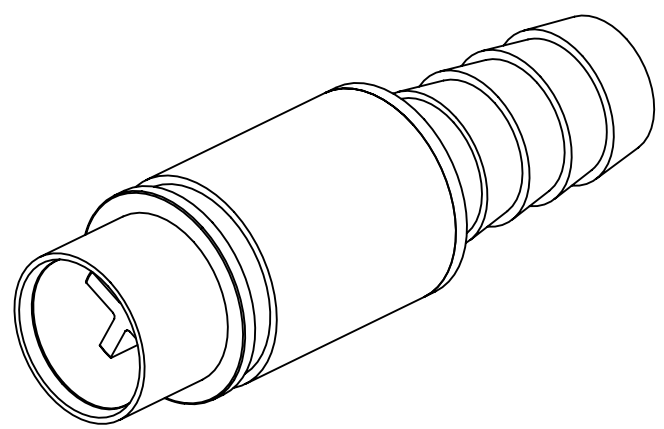
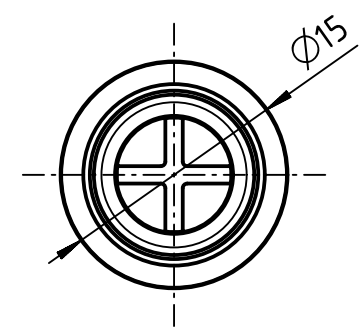
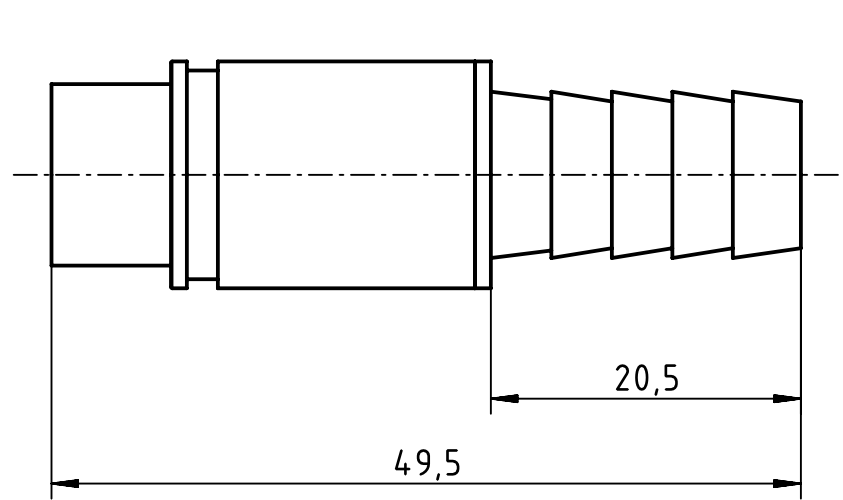
1 2 3 4 5 6


A

B

C

D



	All rights reserved Department EL PD		HARTING Electric GmbH & Co. KG D-32339 Espelkamp		All Dimensions in mm Original Size DIN A4	Scale 2:1	Free size tol.		Ref. Sub.		
	Created by HEW		Inspected by WANGSTE		Standardisation 302077		Date 2021-01-12	State Final Release			
					Title Pneum.contact metal ID 10mm,female+valve				Doc-Key / ECM-Nr. 100891646/UGD/001/A 500000186830		
					Type TB		Number 09 14 000 6411			Rev. A	Page 1/1