

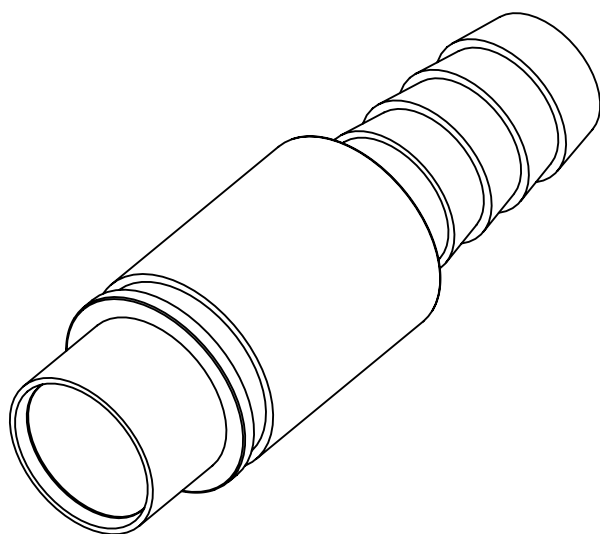
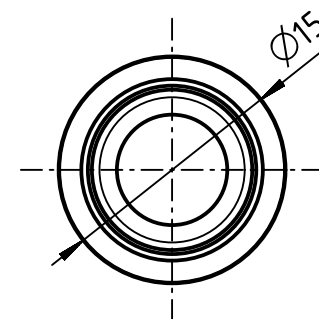
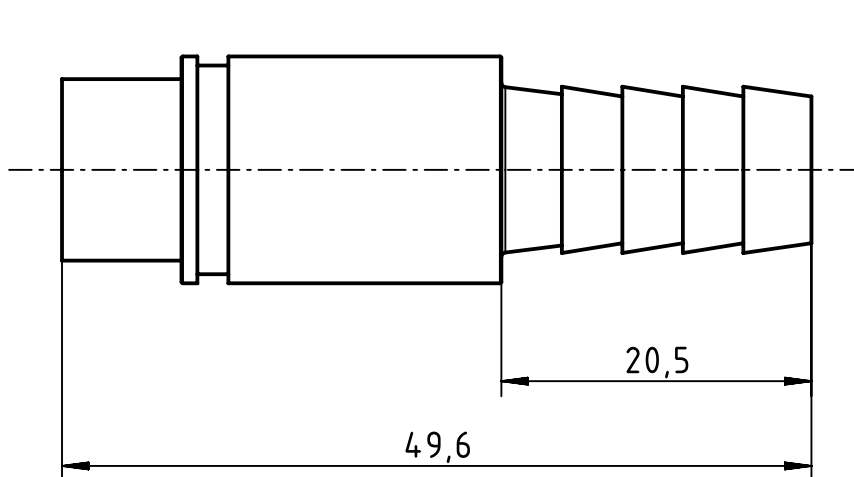
1 2 3 4 5 6


A

B

C

D



	All rights reserved Department EL PD	Created by HEW	Inspected by WANGSTE	Standardisation 302077	Date 2021-01-12	State Final Release
		Title Pneum. contact metal ID 10mm, female		Doc-Key / ECM-Nr. 100892995/UGD/001/A 500000186830		
HARTING Electric GmbH & Co. KG D-32339 Espelkamp		Type TB	Number 09 14 000 6410		Rev. A	Page 1/1