

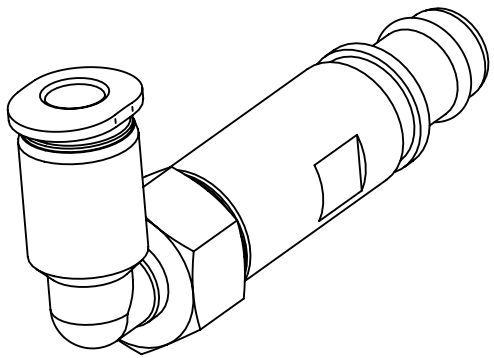
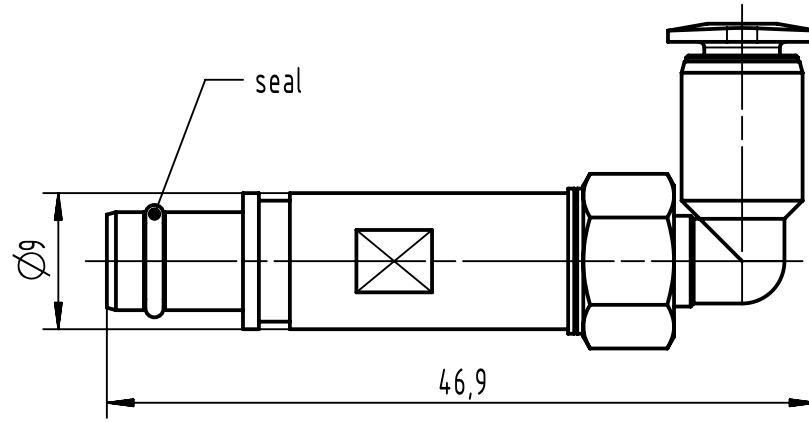
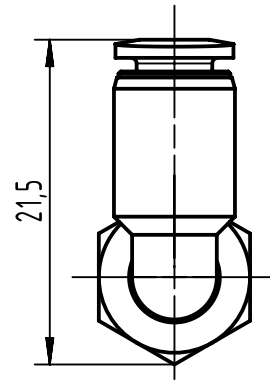
1 2 3 4 5 6


A

B

C

D



	All rights reserved Department EL PD	All Dimensions in mm Original Size DIN A4	Scale 2:1	Free size tol.	Ref.
		Created by SPRENB	Inspected by SCHNIEDER	Standardisation SAP_WFRT	Date 2022-04-06
HARTING D-32339 Espelkamp		Title Pneum. contact metal OD 4mm male angled			Doc-Key / ECM-Nr. 100731012/UGD/001/C 500000214999
		Type TB	Number 09 14 000 7354		Rev. C Page 1/1