

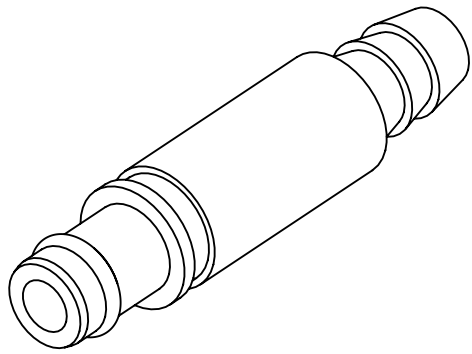
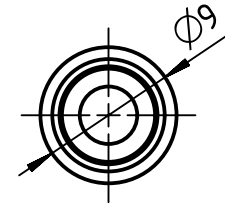
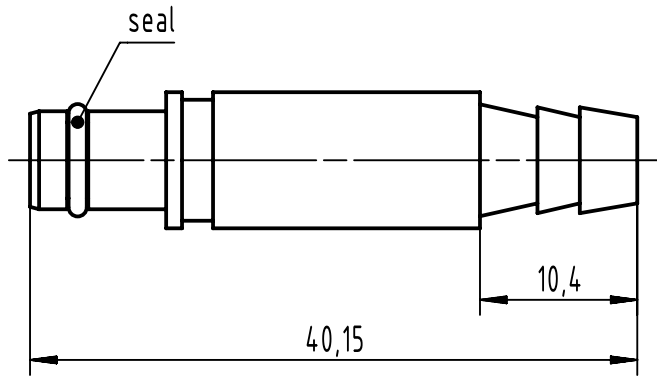
1 2 3 4 5 6


A

B

C

D



	All rights reserved Department EL PD	All Dimensions in mm Original Size DIN A4	Scale 2:1	Free size tol.		Ref.	
		HARTING D-32339 Espelkamp	Created by SPREENB	Inspected by SCHNIEDER	Standardisation SAP_WFRT	Date 2022-04-06	State Final Release
Title Pneum. contact metal ID 6 male						Doc-Key / ECM-Nr. 100654517/UGD/001/E 500000214999	
		Type TB	Number 09 14 000 6306			Rev. E	Page 1/1