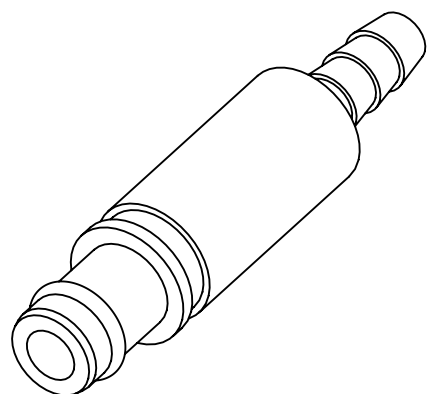
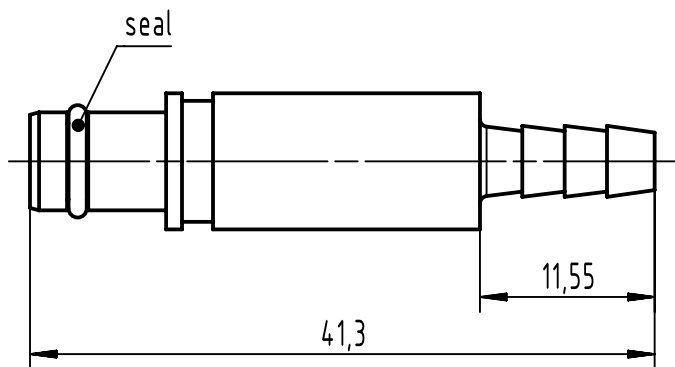



A

B

C

D



	All rights reserved Department EL PD	Created by SPREENB	Inspected by SCHNIEDER	Standardisation SAP_WFRT	Date 2022-04-06	State Final Release
		Title Pneum. contact metal ID 4 male		Doc-Key / ECM-Nr. 100654512/UGD/001/E 500000214999		
HARTING D-32339 Espelkamp		Type TB	Number 09 14 000 6304		Rev. E	Page 1/1