

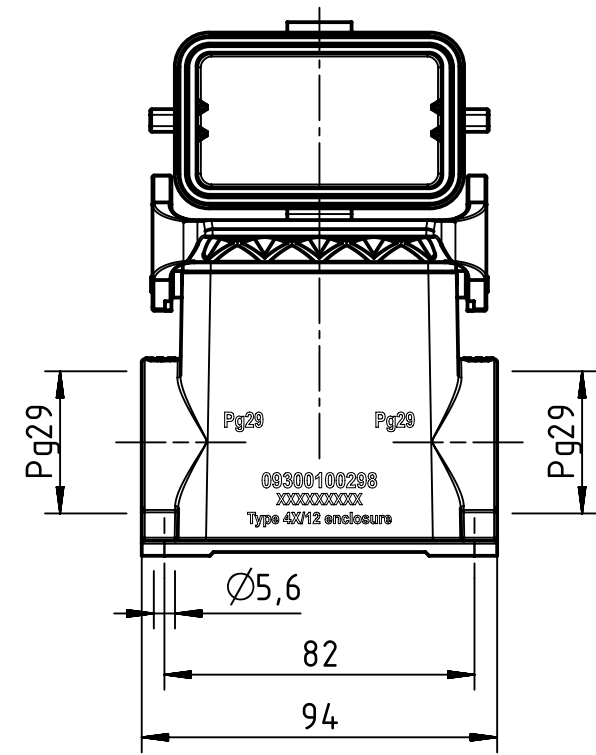
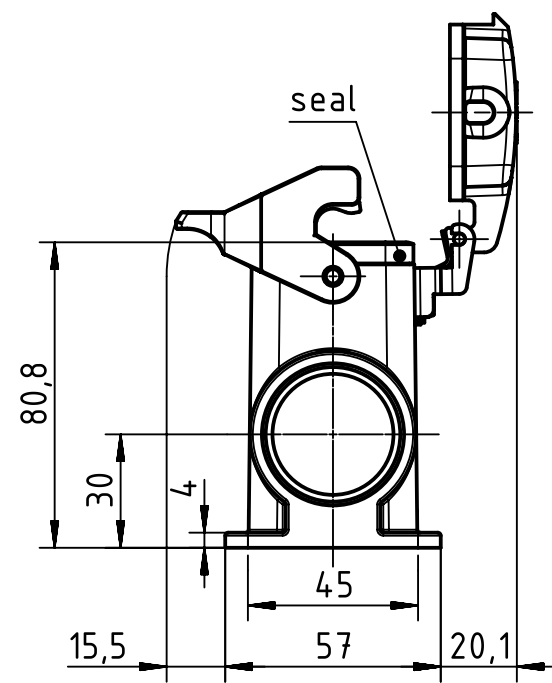
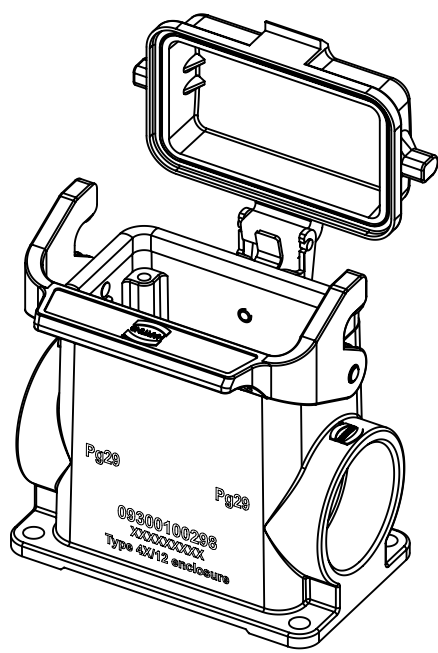
1 2 3 4 5 6

A

B

C

D



	All Dimensions in mm Original Size DIN A4		Scale 1:2	Free size tol.		Ref.
						Sub.
	All rights reserved		Created by SPRENB	Inspected by GERB	Standardisation GARSKE	Date 2019-12-04
	Department EL PD		Title Han 10B-asg2-LB-K-29			State Final Release
HARTING Electric GmbH & Co. KG D-32339 Espelkamp			Type TB	Number 09 30 010 0298		Doc-Key / ECM-Nr. 100208943/UGD/004/C 500000161045
					Rev. C	Page 1/1