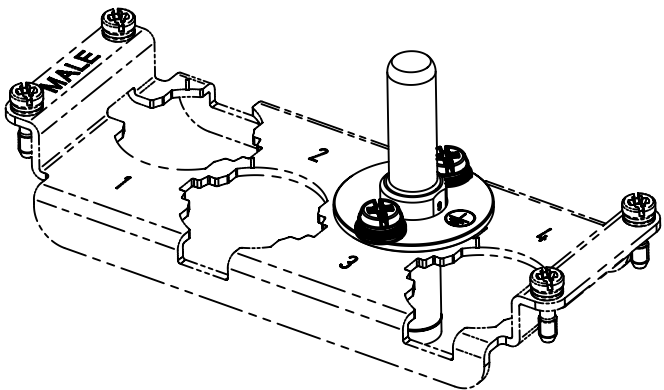



assembly notes see catalog  
 crimp zone acc. to DIN EN 46235, indicator 8  
 for stranded fine wire acc. to VDE 0295 class 5/ IEC 60228 class 5  
 wire gauge: 16mm<sup>2</sup>  
 stripping length: 20mm



	All Dimensions in mm Original Size DIN A4		Scale 2:1	Free size tol.		Ref.
	All rights reserved Department EL PD - DE		Created by SCHULZI	Inspected by SCHNIEDER	Standardisation SCHMIDTM	Date 2015-01-27
HARTING Electric GmbH & Co. KG D-32339 Espelkamp		Title Han TC250 PE male contact 16mm <sup>2</sup>				State Final Release
		Type TB	Number 09 11 000 6190			Doc-Key / ECM-Nr. 100550168/UGD/000/B 500000082399
					Rev. B	Page 1/1