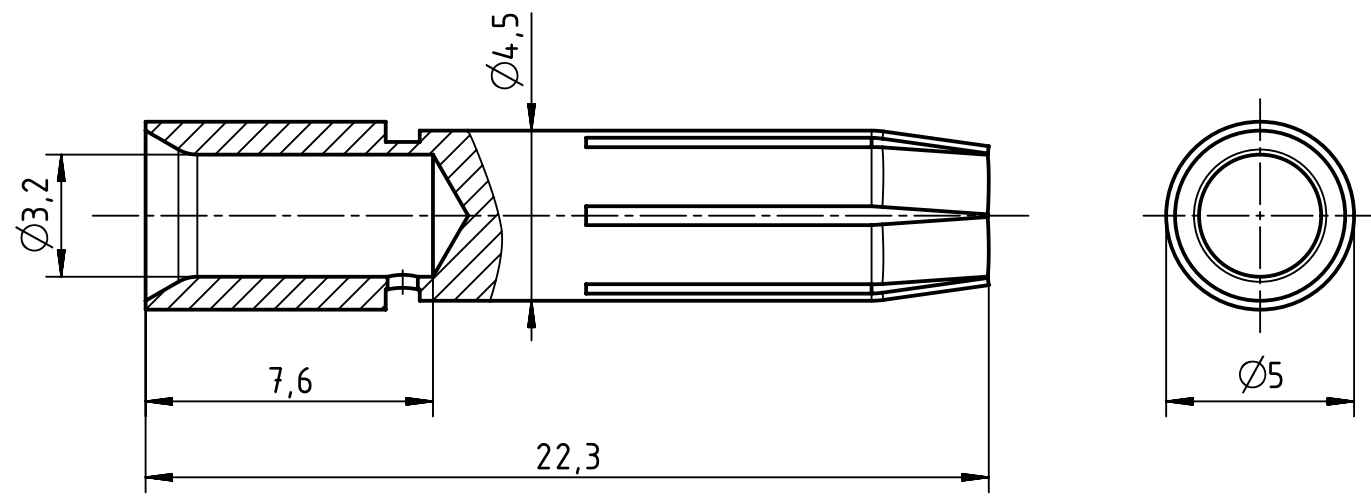


A

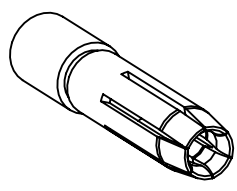
B


C

D



crimping tool 09 99 000 0377
 locator 09 99 000 0964
 wire gauge AWG 10
 stripping length 7,5 mm



	All Dimensions in mm Original Size DIN A4		Scale 5:1	Free size tol.		Ref. Sub. TB 09 33 000 6239 v. 2005-11-10	
	All rights reserved Department EL PD		Created by HOLLERT	Inspected by RIEPE	Standardisation	Date 2021-12-14	State Final Release
HARTING D-32339 Espelkamp		Title Han E-female contact-C-AWG 10				Doc-Key / ECM-Nr. 100088820/UGD/005/B 500000207763	
		Type TB	Number 09 33 000 6239			Rev. B	Page 1/1