

Z(1:2)

cover separately enclosed

4x Ø4,35

91,75

77

89

seal

ca.150

Ø5,3

77,2

54,7

4,15

2x 33,2

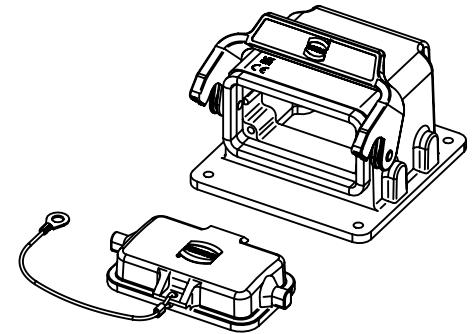
panel cut out (1:2)

77

53

67

housing without coating



	All Dimensions in mm Original Size DIN A4		Scale 1:1	Free size tol.		Ref.	
			Created by HELLMANN	Inspected by GERB	Standardisation	Sub.	
All rights reserved Department EL PD		Date 2021-09-23		State Final Release			
HARTING D-32339 Espelkamp		Title Terminal housing f. motor Han 10B 1 leve				Doc-Key / ECM-Nr. 100190938/UGD/004/C 500000202454	
		Type TB	Number 09 30 410 0970			Rev. C	Page 1/1