

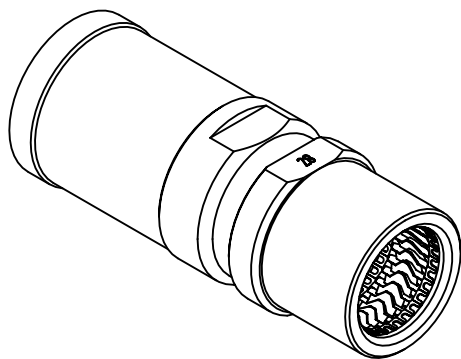
assembly notes see catalogue

crimp zone acc. to DIN EN 46235 indicator 28

for stranded fine wire acc. to VDE 0295 class 5/ IEC 60228 class 5

wire gauge: 240mm<sup>2</sup>

stripping length: 46mm



|                              |  |                     |   |                          |  |                          |                       |                 |  |
|------------------------------|--|---------------------|---|--------------------------|--|--------------------------|-----------------------|-----------------|--|
|                              | All Dimensions in mm<br>Original Size DIN A4 | Scale 1:1           |   | Free size tol.           |  | Ref.                     |                       |                 |  |
|                              |  | Created by HELLMANN |   | Inspected by NICHTERLEIN |  | Standardisation SAP_WFRT |                       | Date 2022-07-11 |  |
|                              | All rights reserved                          |                     | State Final Release                               |                          | Doc-Key / ECM-Nr.<br>100503872/UGD/001/F<br>500000220842 |                          | Page 1/1              |                 |  |
|                              | Department EL PD                             |                     | Title Han TC650 Buchsenkontakt 240mm <sup>2</sup> |                          | Rev. F   |                          | Number 09 11 000 6268 |                 |  |
| HARTING<br>D-32339 Espelkamp |  | Type TB             |   |                          |  |                          |                       |                 |  |