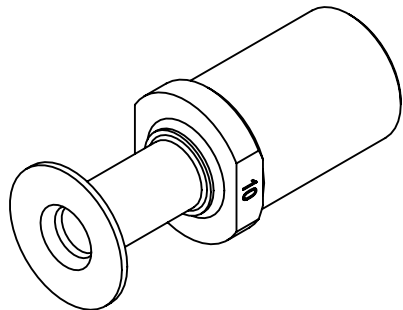



assembly notes see catalog
 crimp zone acc. to DIN EN 46235; indicator 10
 for stranded fine wire acc. to VDE 0295 class 5/IEC 60228 class 5
 wire gauge: 25mm²
 stripping length: 26mm



	All rights reserved Department EL PD	All Dimensions in mm Original Size DIN A4		Scale 2:1	Free size tol.	Ref. Sub.
		Created by HELLMANN	Inspected by RIEPE	Standardisation SAP_WFRT	Date 2022-09-21	State Final Release
HARTING D-32339 Espelkamp		Title Han TC350 female contact 25mm ²			Doc-Key / ECM-Nr. 10017534.7/UGD/002/B 500000224.798	
		Type TB	Number 09 11 000 6239		Rev. B	Page 1/1